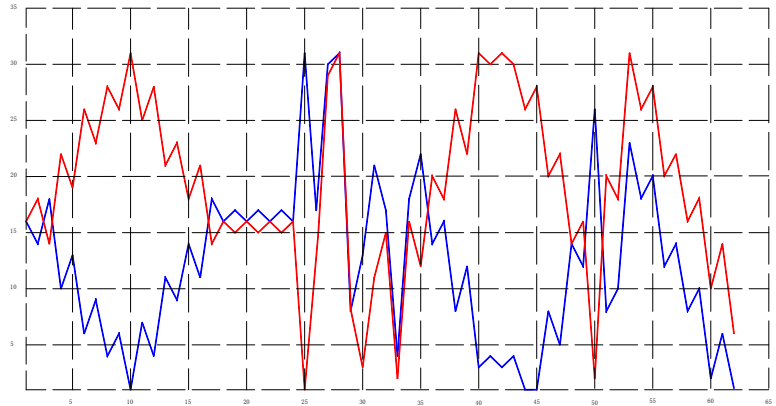
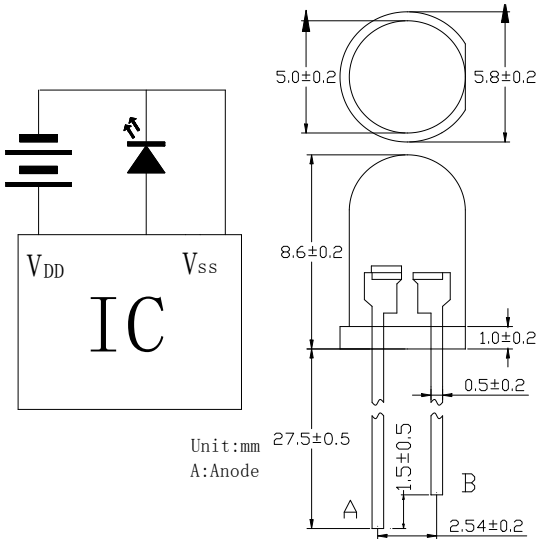


Features:

- \* 5mm Lamp LED
- \* Candle Flash Color Red
- \* Clear lens
- \* Low Power Consumption
- \* Ideal For Toy Light-Gift Indicator

**Part No.: IE-5R-C-SJF**

Circuit and Dimensions and Pattern



Absolute Maximum Rating

Item	Symbol	Absolute Maximum Rating	Unit
Forward Current	$I_F$	20	mA
Peak Forward Current*	$I_{FP}$	100	mA
Operating Voltage	$V_{DD}$	4.0	V
Power Dissipation	$P_D$	150	mW
Flash Cycle	$F_{cyc}$	/	S
Operation Temperature	$T_{OPR}$	-25~+80	°C
Storage Temperature	$T_{STG}$	-5~+45	°C
Lead Soldering Temperature	$T_{SOL}$	Max.260°C for 5sec Max(3mm from the base of the epoxy bulb)	

Typical Optical/Electrical Characteristics

Item	Symbol	Condition	Emitting Color	Min.	Typ.	Max.	Unit
Forward Voltage	$V_F$	$I_F=20mA$	Red	3.2		4.0	V
Luminous Intensity	$I_v$	$I_F=20mA$	Red	1000		2000	mcd
Viewing Angle	$2\theta_{1/2}$	$I_F=20mA$	/	/	30		deg
Prcep Wavelength	$T_e$	$I_F=20mA$	Red	620	630	640	nm