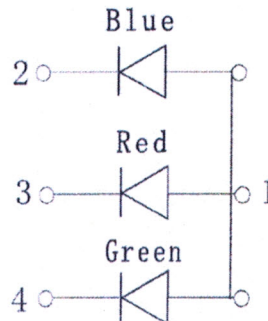
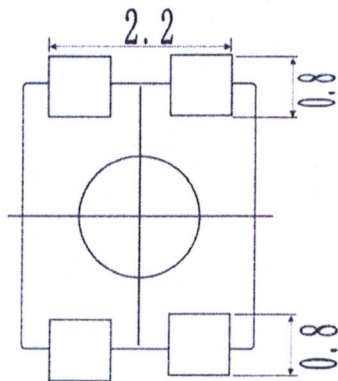
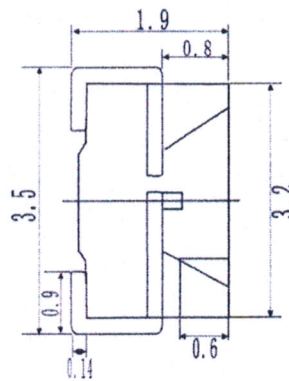
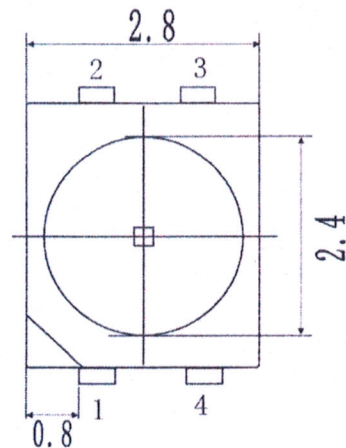


3.5*2.8*1.9mm SMD LED

MODEL NO.: IE-35RSG B28-S9/10

Package outlines



ITEM	MATERIALS
Resin(mold)	Silicone
Bonding Wire	φ 25μmAu
Lens color	Water transparent
Printed circuit board	PPA
Dice	—
Emitted color	Red Green Blue

Notes:

- 1、 All dimensions are in mm.
- 2、 Tolerance is ± 0.25 mm unless otherwise noted.

- ▲ LEDs
- ▲ LED Displays
- ▲ LED Light
- ▲ Infrared LEDs
- ▲ LCD Backlight

3.5*2.8*1.9mm SMD LED

MODEL NO.: IE-35RSG B28-S9/10

Absolute maximum ratings (T_A=25°C)

Parameter	Symbol	Value			Unit
		R	G	B	
Power dissipation	Pd	60	100	100	mW
Forward current	I _f	30			mA
Reverse voltage	V _r	5			V
Operating temperature range	T _{op}	-25~+85			°C
Storage temperature range	T _{stg}	-40~+100			°C
Peak pulsing current	I _{fp}	100*3			mA

Electro-optical characteristics (T_A=25°C)

Parameter	Symbol	Condition	Color	Min.	Typ.	Max.	Unit
Forward Voltage	V _F	I _F =20mA	RED	1.8	2.0	2.4	V
			GREEN	2.8	3.0	3.8	
			BLUE	2.8	3.1	3.8	
Peak Wavelength	λ _d	I _F =20mA	RED	620	—	630	nm
			GREEN	520	—	530	
			BLUE	460	—	470	
Spectrum Radiation Bandwidth	Δλ	I _F =20mA	RED	—	25	—	nm
			GREEN	—	20	—	
			BLUE	—	20	—	
Luminous Intensity	I _V	I _F =20mA	RED	—	150	—	mcd
			GREEN	—	650	—	
			BLUE	—	200	—	
Reverse Current	I _R	V _R =5V	—	—	—	10	μA

NOTE: (Tolerance: I_v±10%, λ_d±2nm, V_f±0.05V)

IFP Conditions: Pulse Width ≤ 10msec. and Duty ≤ 1/10.

- ▲ LEDs
- ▲ LED Displays
- ▲ LED Light
- ▲ Infrared LEDs
- ▲ LCD Backlight