

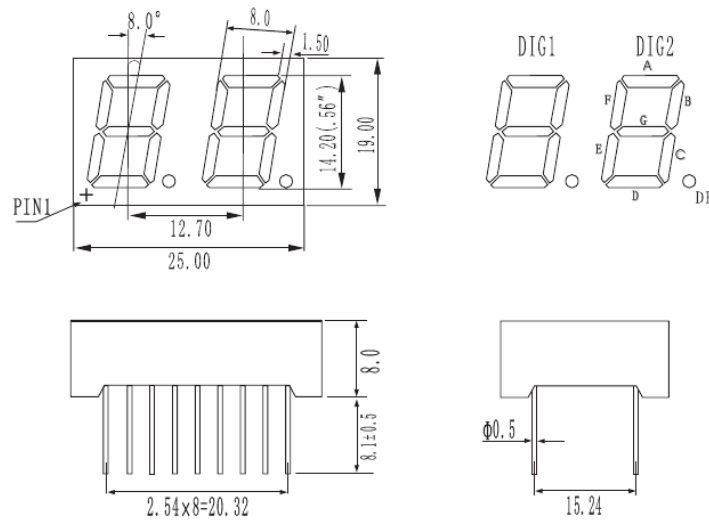
# 0.56" Dual Digit LED Display

Model NO. : IE-2R-10564NC-L8.1

Chip (Ta=±25°C)		PIN	Drive Mode	Face
Quantity	Emitting color		Common Anode	
16ea	Red	—		Black

■ Package Outlines

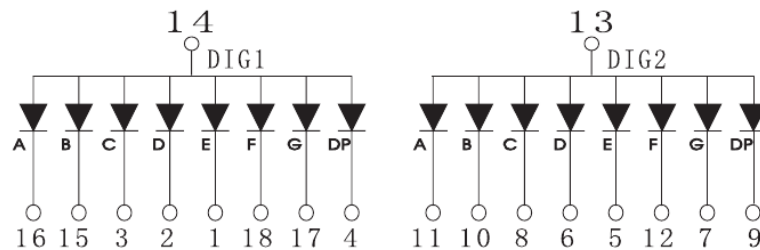
(unit:mm)



Notes:

1. All dimensions are in millimeters (inches);
2. Tolerances is ±0.25 (0.01") unless otherwise noted.

■ Internal Circuit:



0.56" Dual Digit LED Display

Model NO. : IE-2R-10564NC-L8.1

■ Absolute Maximum Ratings (Ta=+25°C)

Characteristics	Symbol	Rating	Unit	Remarks
Forward current/segment	$I_F$	30	mA	——
Peak forward current/segment	$I_{F(Peak)}$	100	mA	1/10 Duty Cycle
Reverse Voltage/segment	$V_R$	5	V	——
Operating Temperature	$T_{Opr}$	-25~+80	°C	——
Storage Temperature	$T_{Stg}$	-40~+85	°C	——
Solder Temperature	$T_{Sol}$	260	°C	<5 seconds
Power Dissipation/segment	$P_d$	65	mw	——

■ Electro-Optical Characteristics (Ta=25°C) :

Parameter	Symbol	Test condition	Min.	Typ.	Max.	Unit
Forward Voltage/segment	$V_F$	$I_F=20mA$	1.65	2.0	2.4	V
Dominant Wavelength	$\lambda_D$	$I_F=20mA$	——	630	——	nm
Spectrum width (Half value)	$\Delta \lambda$	$I_F=20mA$	——	25	——	nm
Luminous Intensity/segment	$I_V$	$I_F=20mA$	——	25	——	mcd
Reverse current/segment	$I_R$	$V_R=5V$	——	——	10	$\mu A$