

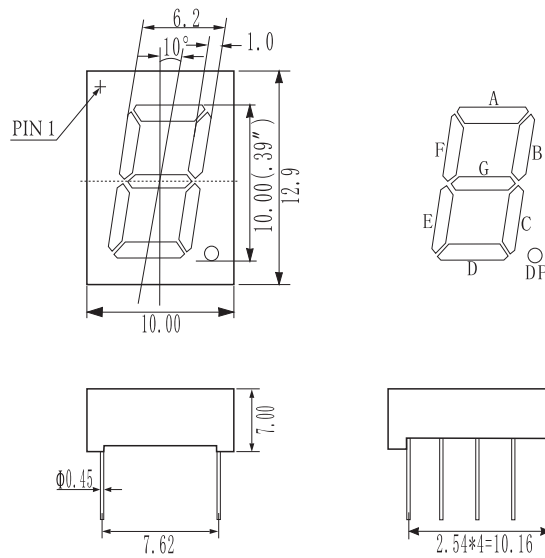
0.39" Single Digit LED Display

Model NO. : IE-1B-10392BC

Chip (Ta=±25°C)		P I N	Drive Mode	Face
Quantity	Emitting color	—	Common Anode	
	Blue			Black

■ Package Outlines

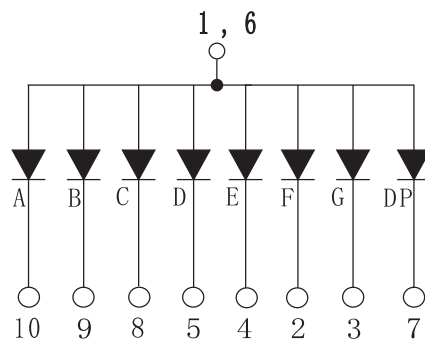
(unit:mm)



Notes:

1. All dimensions are in millimeters (inches);
2. Tolerances is ± 0.25 (0.01") unless otherwise noted.

■ Internal Circuit:



0.39" Single Digit LED Display

Model NO. IE-1B-10392BC

■ Absolute Maximum Ratings (Ta=+25°C)

Characteristics	Symbol	Rating	Unit	Remarks
Forward current / segment	I_F	30	mA	—
Peak forward current / segment	$I_{F(Peak)}$	100	mA	1/10 Duty Cycle
Reverse Voltage / segment	V_R	5	V	—
Operating Temperature	T_{Opr}	-25 ~ +80	°C	—
Storage Temperature	T_{Stg}	-40 ~ +85	°C	—
Solder Temperature	T_{Sol}	260	°C	≤ 5 seconds
Power Dissipation / segment	P_d	80	mw	—

■ Electro-Optical Characteristics (Ta=25°C) :

Parameter	Symbol	Test condition	Min.	Typ.	Max.	Unit
Forward Voltage/segment	V_F	$I_F=20mA$	2.8	3.2	3.6	V
Dominant Wavelength	λ_d	$I_F=20mA$	—	465	—	nm
Spectrum width (Half value)	$\Delta\lambda$	$I_F=20mA$	—	20	—	nm
Luminous Intensity/segment	I_V	$I_F=20mA$	—	50	—	mcd
Reverse current/segment	I_R	$V_R=5V$	—	—	10	μA