

5.0mm Round Type LED Lamps

MODEL NO : IE-5R4UT-SS12

★Features:

- Low power consumption;
- High efficiency and high performance;
- Choice of various viewing angles;
- Reliable and robust.

★Lens Color:

- Color Diffused Color Transparent
 Water Clear White Diffused

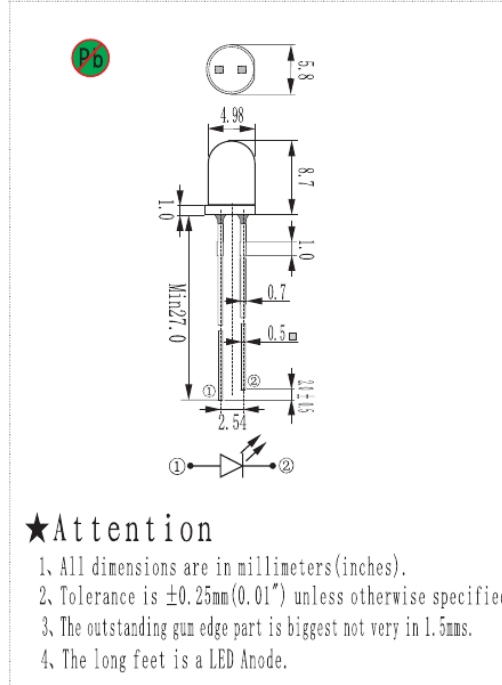
★Descriptions:

- The series is specially designed for applications requiring higher brightness.
- The led lamps are available with different Colors, intensities, epoxy colors, etc.

★Applications:

- Indicators Home electric appliance
 Automotive Sign & Signal.

★Package Dimension:



★Attention

1. All dimensions are in millimeters (inches).
2. Tolerance is $\pm 0.25\text{mm}$ (0.01") unless otherwise specified.
3. The outstanding gun edge part is biggest not very in 1.5mm.
4. The long feet is a LED Anode.

★Absolute Maximum Ratings (Ta=25°C):

Parameter	Symbol	Rating	Unit	Remark
Forward Current	I_F	30	mA	—
Peak Forward Current	I_{FP}	100	mA	1/10 Duty Cycle
Reverse Voltage	V_R	5	V	—
Operating Temperature	T_{OPR}	-25 ~ +85	°C	—
Storage Temperature	T_{Stg}	-40 ~ +100	°C	—
Soldering Temperature	T_{Sol}	260	°C	≤ 3 seconds
Power Dissipation	P_d	60	mW	—

★Electronic Optical Characteristics (Ta=25°C):

Part Number	Emitting Color	V_F (V) $I_F=20\text{mA}$			I_V (mcd) $I_F=20\text{mA}$		I_R (μA) $V_R=5\text{V}$	λ_d (nm)	$\Delta \lambda$ (nm)	Viewing Angle 2θ _{1/2} (°)
		Min	Typ	Max	Typ	Max				
IE-5R4UT-SS12	RED	1.65	2.0	2.4	2800	6300	<10	618-630	25	55°

★Elucidation: **Pb** = Pb free Soldering Application, Pb < 1000ppm (RoHS-Compliant)