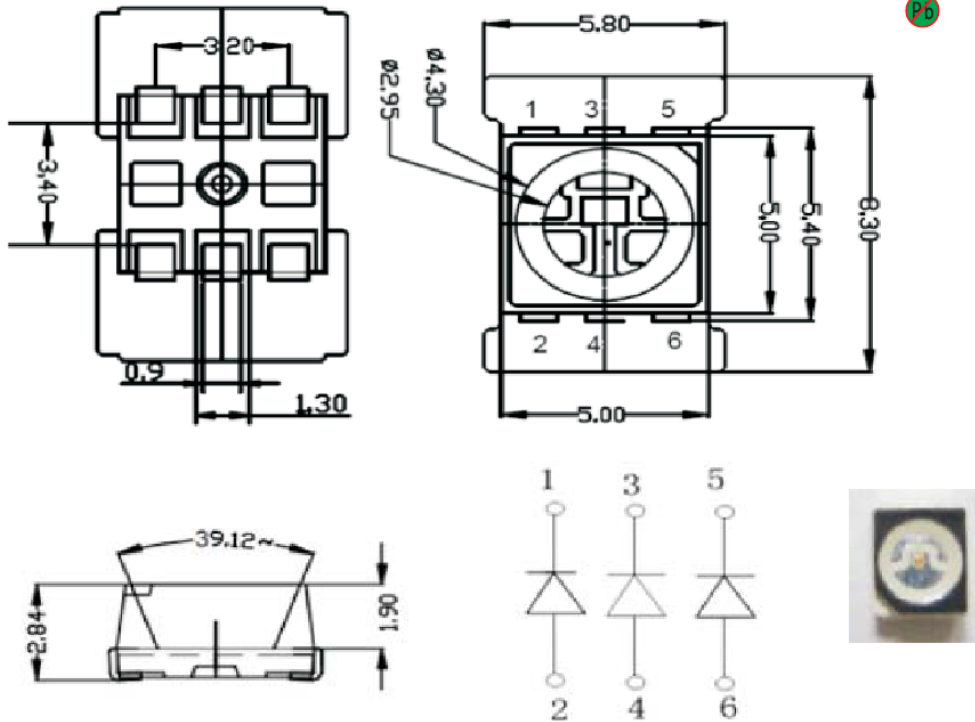


5.0*5.0mm SMD LED (SMD5050,Black face)

MODEL NO.: IE-5050PG-HB-C

Package outlines



ITEM	MATERIALS
Resin(mold)	
Bonding Wire	
Lens color	Water Clear
Printed circuit board	PPA Cu
Emitted color	Pure Green
Face color	Black

Notes:

- 1、 All dimensions are in mm.
- 2、 Tolerance is ± 0.25 mm unless otherwise noted.

5.0*5.0mm SMD LED (SMD5050,Black face)

MODEL NO.: IE-5050PG-HB-C

Absolute maximum ratings		(T _A =25°C)				
Parameter	Symbol	Value			Unit	
		Pure Green				
Power dissipation	P _d	100			mW	
Forward current	I _f	30			mA	
Reverse voltage	V _r	5			V	
Operating temperature range	T _{op}	-40~+100			°C	
Storage temperature range	T _{stg}	-40~+100			°C	
Peak pulsing current	I _{fp}	100			mA	
Electrostatic Discharge	ESD	1000			V	
Electro-optical characteristics		(T _A =25°C)				
Parameter	Test Condition	Symbol	Value			Unit
			Min.	Typ.	Max.	
Wavelength at peak emission	I _f =20mA	λ _{peak}	--	--	--	nm
Spectral half bandwidth	I _f =20mA	Δλ	--	25	--	nm
Dominant wavelength	I _f =20mA	λ _D	516	--	525	nm
Forward voltage	I _f =20mA	V _f	2.6	2.9	3.4	V
Luminous intensity	I _f =20mA	I _v	2500	3500	5000	mcd
Viewing angle at 50% I _v	I _f =20mA	2θ _{1/2}	--	120	--	Deg
Reverse current	V _r =5V	I _r	--	--	10	μA
NOTE: IFP Conditions:Pulse Width≤10msec. and Duty ≤1/10.						