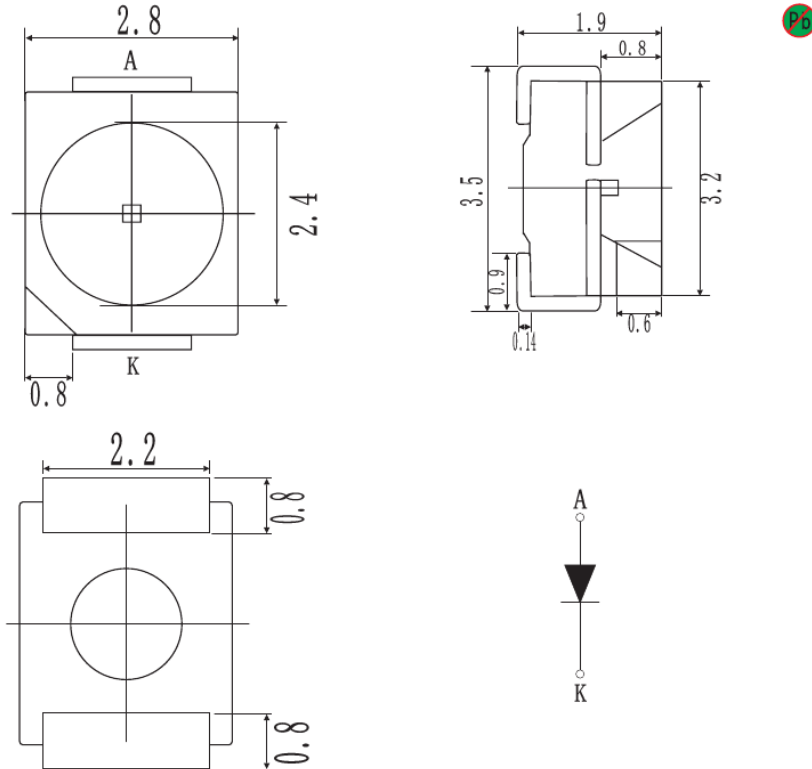


3.5\*2.8\*1.9mm SMD LED

MODEL NO.: IE-35UB28-51H6/J8-W

Package outlines



ITEM	MATERIALS
Resin(mold)	Silicone
Bonding Wire	φ 25μmAu
Lens color	White Diffused
Printed circuit board	PPA
Dice	—
Emitted color	Blue

Notes:

- 1、 All dimensions are in mm.
- 2、 Tolerance is  $\pm 0.25$  mm unless otherwise noted.

3.5\*2.8\*1.9mm SMD LED

 MODEL NO.: IE-35UB28-51H6/J8-W

Absolute maximum ratings			(T <sub>A</sub> =25°C)			
Parameter	Symbol	Value			Unit	
		Blue				
Power dissipation	P <sub>d</sub>	80			mW	
Forward current	I <sub>f</sub>	30			mA	
Reverse voltage	V <sub>r</sub>	5			V	
Operating temperature range	T <sub>op</sub>	-40~+100			°C	
Storage temperature range	T <sub>stg</sub>	-40~+100			°C	
Peak pulsing current	I <sub>fp</sub>	100			mA	
Electrostatic Discharge	ESD	1000			V	
Electro-optical characteristics			(T <sub>A</sub> =25°C)			
Parameter	Test Condition	Symbol	Value			Unit
			Min.	Typ.	Max.	
Wavelength at peak emission	I <sub>f</sub> =20mA	λ <sub>peak</sub>	--	--	--	nm
Spectral half bandwidth	I <sub>f</sub> =20mA	Δλ	--	20	--	nm
Dominant wavelength	I <sub>f</sub> =20mA	λ <sub>dom</sub>	463	--	473	nm
Forward voltage	I <sub>f</sub> =20mA	V <sub>f</sub>	2.8	3.0	3.6	V
Luminous intensity	I <sub>f</sub> =20mA	I <sub>v</sub>	250	400	500	mcd
Viewing angle at 50% I <sub>v</sub>	I <sub>f</sub> =20mA	2θ <sub>1/2</sub>	--	120	--	Deg
Reverse current	V <sub>r</sub> =5V	I <sub>r</sub>	--	--	10	μA
NOTE: IFP Conditions:Pulse Width≤10msec. and Duty ≤1/10.						