

5.0mm Round Type LED Lamps

MODEL NO: **IE-5G4UD**

★Features:

- Low power consumption;
- High efficiency and high performance;
- Choice of various viewing angles;
- Reliable and robust.

★Lens Color:

- Color Diffused Color Transparent
 Water Clear White Diffused

★Descriptions:

- The series is specially designed for applications requiring higher brightness.
- The led lamps are available with different Colors, intensities, epoxy colors, etc.

★Applications:

- Indicators ● Home electric appliance
- Automotive ● Sign & Signal.

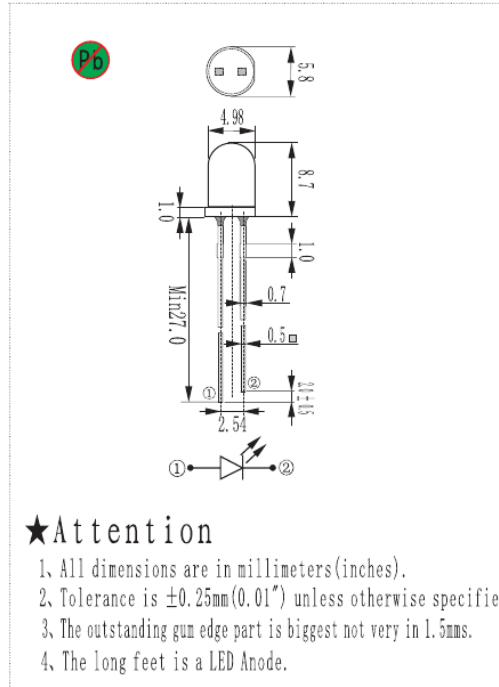
★Absolute Maximum Ratings (Ta=25°C):

| Parameter | Symbol | Rating | Unit | Remark |
|-----------------------|------------------|------------|------|-----------------|
| Forward Current | I _F | 30 | mA | — |
| Peak Forward Current | I _{FP} | 100 | mA | 1/10 Duty Cycle |
| Reverse Voltage | V _R | 5 | V | — |
| Operating Temperature | T _{OPR} | -25 ~ +85 | °C | — |
| Storage Temperature | T _{Stg} | -40 ~ +100 | °C | — |
| Soldering Temperature | T _{Sol} | 260 | °C | ≤3 seconds |
| Power Dissipation | P _d | 100 | mW | — |

★Electronic Optical Characteristics (Ta=25°C):

| Part Number | Emitting Color | V _F (V) I _F =20mA | | | I _{V(mcd)} I _F =20mA | | I _r (μA) VR=5V | λ _d (nm) | Δλ(nm) | Viewing Angle 2θ _{1/2} (°) |
|-------------|----------------|--|-----|-----|---|------|------------------------------|---------------------|--------|--|
| | | Min | Typ | Max | Typ | Max | | | | |
| IE-5G4UD | GREEN | 2.8 | 3.2 | 3.8 | 1000 | 2500 | <10 | 525-530 | 35 | 40° |

★Package Dimension:



★Attention

1. All dimensions are in millimeters (inches).
2. Tolerance is ±0.25mm (0.01") unless otherwise specified.
3. The outstanding gun edge part is biggest not very in 1.5mm.
4. The long feet is a LED Anode.

★Elucidation: **Pb** = Pb free Soldering Application, Pb < 1000ppm (RoHS-Compliant)