

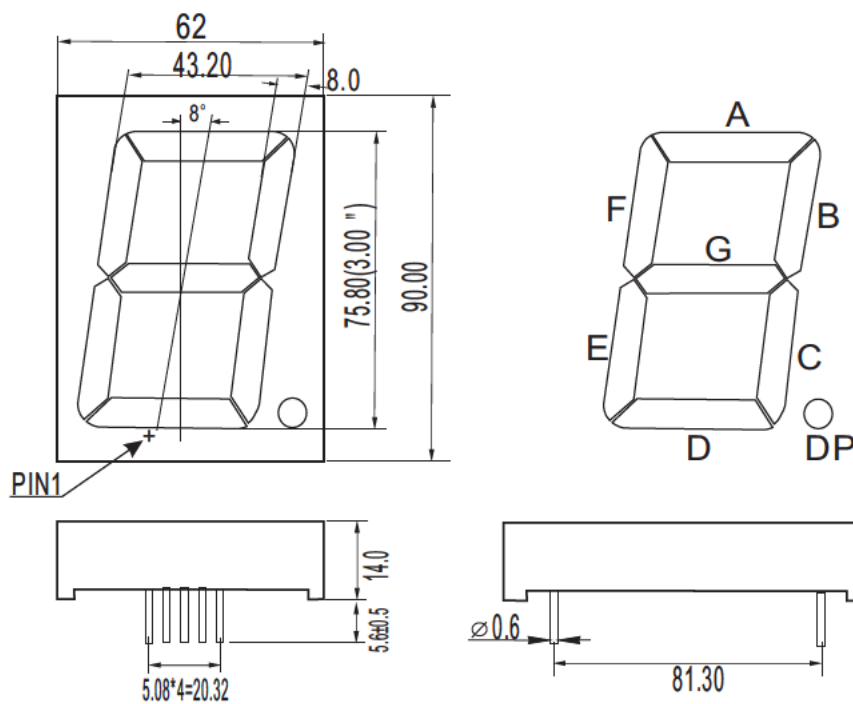
3.0" Single Digit LED Display

Model NO. : IE-1WC-30102B-CA

Chip (Ta=±25°C)		PIN	Drive Mode	Face Color	Epoxy Color
Quantity	Emitting color	—	Common Anode	Black	White
37ea	White				

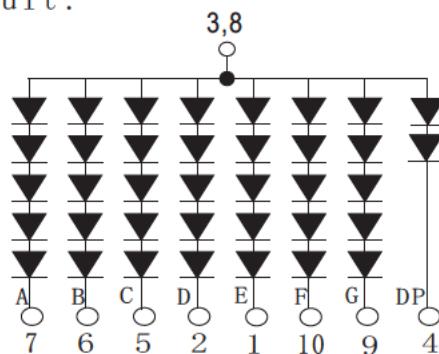
■ Package Outlines

(unit:mm)



- Notes:
1. All dimensions are in millimeters (inches);
 2. Tolerances is ±0.25 (0.01") unless otherwise noted.

■ Internal Circuit:



3.0" Single Digit LED Display

Model NO. : IE-1WC-30102B-CA

■ Absolute Maximum Ratings (Ta=+25°C)

Characteristics		Symbol	Rating	Unit	Remarks
Forward current	/Segment	I_F	25	mA	—
	/Dot				
Peak forward current	/Segment	$I_{F(Peak)}$	100	mA	1/10 Duty Cycle
	/Dot				
Reverse Voltage	/Segment	V_R	5*5	V	—
	/Dot		5*2		
Operating Temperature		T_{Opr}	-25 ~ +80	°C	—
Storage Temperature		T_{Stg}	-40 ~ +85	°C	—
Solder Temperature		T_{Sol}	260	°C	≤5 seconds
Power Dissipation	/Segment	P_d	80*5	mw	—
	/Dot		80*2		

■ Electro-Optical Characteristics (Ta=25°C) :

Parameter		Symbol	Test condition	Min.	Typ.	Max.	Unit
Forward Voltage	/Segment	V_F	$I_F = 20\text{mA}$	—	3.0*5	—	V
	/Dot				3.0*2		
Chromaticity Coordinates	X		$I_F = 20\text{mA}$	0.26	0.29	0.32	nm
	Y			0.26	0.29	0.32	
Spectrum width (Half value)		$\Delta\lambda$	$I_F = 20\text{mA}$	—	20	—	nm
Luminous Intensity		I_V	$I_F = 10\text{mA}$	—	400	—	mcd
Reverse current	/Segment	I_R	$V_R = 5\text{V} * 5$	—	—	10	μA
	/Dot		$V_R = 5\text{V} * 2$				