

LED Display

Product Data Sheet

IE-2R-10563N

Spec No.:

Effective Date: Jan 29, 2016

FEATURES

0.56 inch (14.20mm) Digit Height
Low Power Requirement
High Brightness and High Contrast
Excellent Characters Appearance
IC Compatible , Easy Assembly
RoHS Compliant

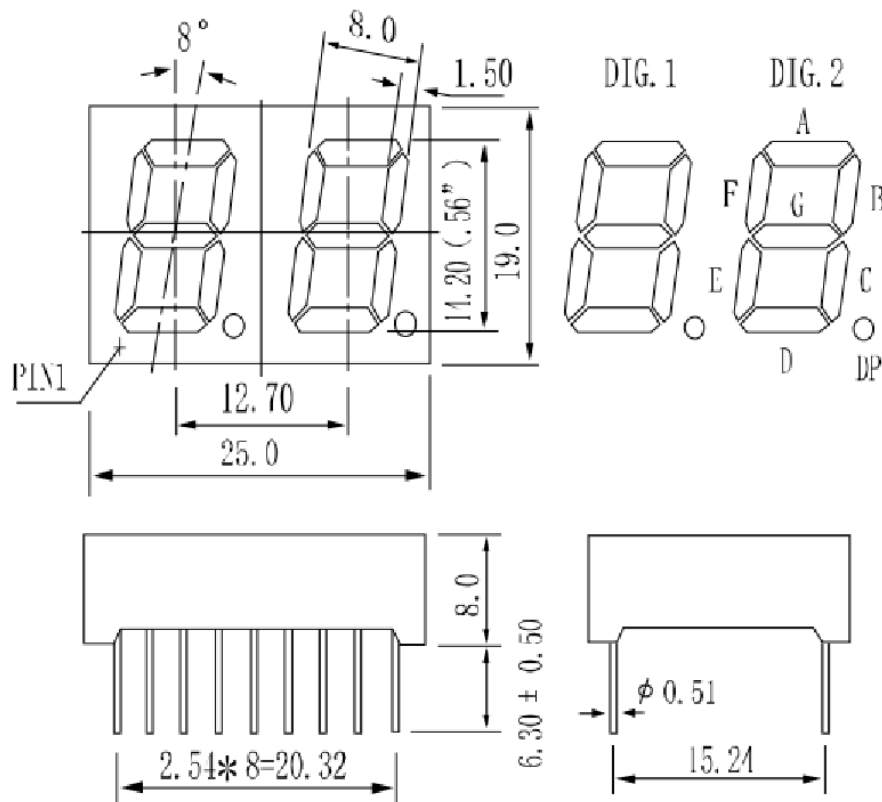
DESCRIPTION

This is a 0.56 inch (14.20mm) digit height dual digit seven segment LED display. This device utilizes red LED chips, which are made from AlGaInP, and has a black face and white segments.

DEVICE

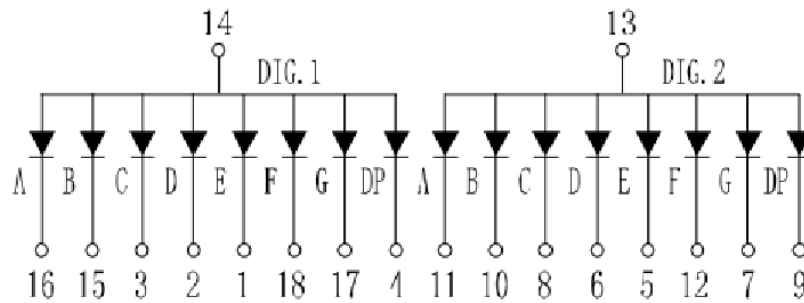
Red	Description
IE-2R-10563N	Common Anode, Right Hand Decimal
Total 16 LED Chips	

PACKAGE DIMENSIONS



NOTES: All dimensions are in millimeters (inches). Tolerance is ± 0.25 (0.010") unless otherwise specified.

INTERNAL CIRCUIT DIAGRAM



PIN CONNECTION

PIN NO.	CONNECTION
1	CATHODE E
2	CATHODE D
3	CATHODE C
4	CATHODE DP1
5	CATHODE E
6	CATHODE D
7	CATHODE G
8	CATHODE C
9	CATHODE DP2
10	CATHODE B
11	CATHODE A
12	CATHODE F
13	COMMON ANODE DIG2
14	COMMON ANODE DIG1
15	CATHODE B
16	CATHODE A
17	CATHODE G
18	CATHODE F

ABSOLUTE MAXIMUM RATINGS AT Ta=25°C

PARAMETER	SYMBOL	AlGaInP RED	UNIT
Power Dissipation Per Segment	PAD	50	mw
Reverse Voltage Per Segment	VR	5	V
Continuous Forward Current Per Segment	IAF	20	mA
Peak Forward Current Per Segment(Duty-0.1,1KHz)	IPF	60	mA
Operating Temperature Range	TOPr	-20°C to 80°C	
Storage Temperature Range	Tstg	-30°C to 85°C	

Lead Soldering Temperature 260°C at 1.6mm From Body for 3 second

ELECTRICAL/OPTICAL CHARACTERISTICS AT Ta=25°C**AlGaInP RED**

PARAMETER	SYMBOL	TEST CONDITION	MIN	TYP	MAX	UNIT
Forward Voltage, Per Segment	VF	IF=20mA	1.9	2.0	2.5	V
Reverse Current, Per Segment	IR	VR=5V			50	μA
Peak Emission Wavelength	λp	IF=20mA	630	633	637	nm
Luminous Intensity Per Segment	IV	IF=20mA	23	25	28	mcd

TYPICAL ELECTRICAL / OPTICAL CHARACTERISTIC CURVES @ TA = 25°C

