

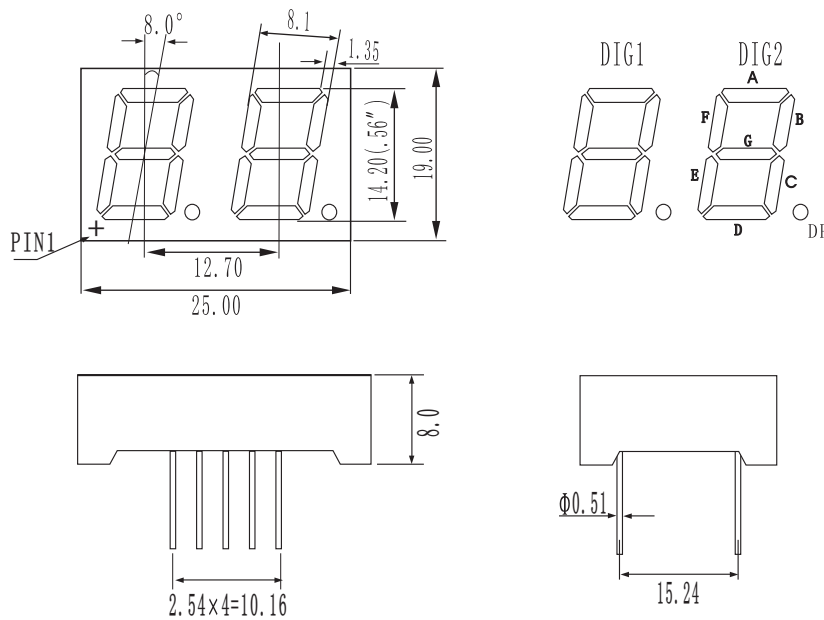
0.56" Dual Digit LED Display

Model NO. : IE-2R-30563NC

Chip (Ta=±25°C)		PIN	Drive Mode	Face
Quantity	Emitting color	10.28mm	Common Anode	
16ea	Red			

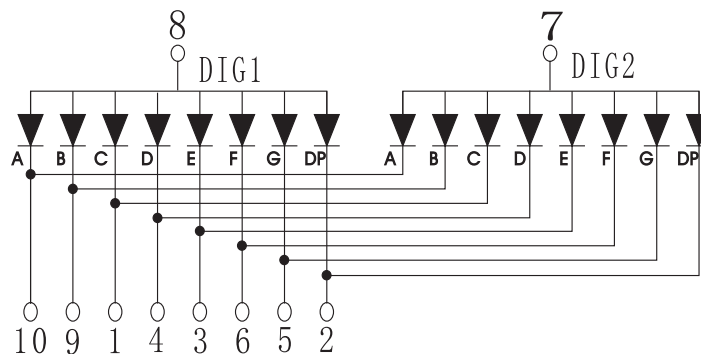
■ Package Outlines

(unit:mm)



- Notes:
 1. All dimensions are in millimeters(inches);
 2. Tolerancs is ±0.25(0.01")unless otherwise noted.

■ Internal Circuit:



0.56" Dual Digit LED Display

Model NO. : IE-2R-30563NC

■ Absolute Maximum Ratings (Ta=+25°C)

Characteristics	Symbol	Rating	Unit	Remarks
Forward current/segment	I_F	30	mA	——
Peak forward current/segment	$I_{F(Peak)}$	100	mA	1/10 Duty Cycle
Reverse Voltage/segment	V_R	5	V	——
Operating Temperature	T_{Opr}	-25 ~ +80	°C	——
Storage Temperature	T_{Stg}	-40 ~ +85	°C	——
Solder Temperature	T_{Sol}	260	°C	≤5 seconds
Power Dissipation/segment	P_d	65	mw	——

■ Electro-Optical Characteristics (Ta=25°C) :

Parameter	Symbol	Test condition	Min.	Typ.	Max.	Unit
Forward Voltage/segment	V_F	$I_F=20mA$	1.65	2.0	2.4	V
Dominant Wavelength	λ_D	$I_F=20mA$	——	630	——	nm
Spectrum width (Half value)	$\Delta\lambda$	$I_F=20mA$	——	25	——	nm
Luminous Intensity/segment	I_V	$I_F=20mA$	——	25	——	mcd
Reverse current/segment	I_R	$V_R=5V$	——	——	10	μA