

4.8mm Helmet Type LED Lamps

MODEL NO : IE-5WW4UT-D7

★Features:

- Fluorescence Type;
- High Luminous Intensity;
- High Efficiency;

★Lens Color:

- Color Diffused Color Transparent
 Water Clear White Diffused

★Descriptions:

- The white LED which was fabricated using a blue LED and a phosphor, and the phosphor is excited by blue light and emits yellow fluorescence. The mixture of blue light and yellow light results in a white emission.

★Applications:

- OA Equipment;
- Backlighting of LCD;
- Automotive Equipment;
- Replacement of Conventional Light Bulbs and Fluorescent Lamps.

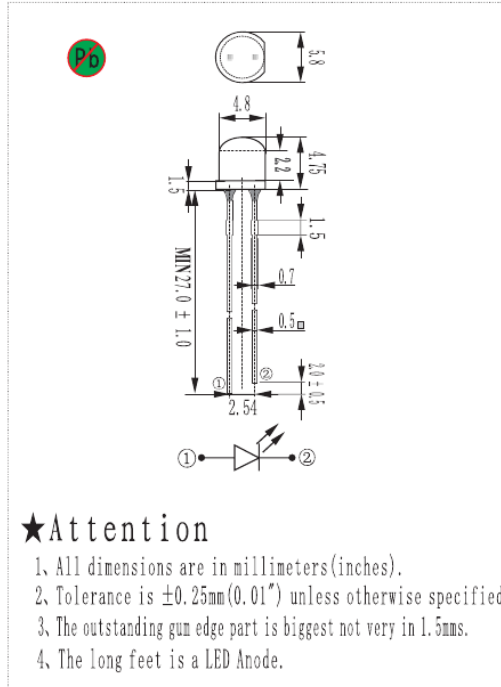
★Absolute Maximum Ratings (Ta=25°C) :

Parameter	Symbol	Rating	Unit	Remarks
Forward Current	I _F	30	mA	—
Peak Forward Current	I _{FP}	100	mA	1/10 Duty Cycle
Reverse Voltage	V _R	5	v	—
Operating Temperature	T _{opr}	-25 ~+85	°C	—
Storage Temperature	T _{stg}	-40 ~+100	°C	—
Soldering Temperature	T _{sol}	260	°C	<3 seconds
Power Dissipation	P _d	100	mW	—

★Electronic Optical Characteristics (Ta=25°C) :

Part Number	Emitting Color	V _F (V)			I _{V(mcd)}		I _r (μA) VR=5V	Chromaticity Coordinates		Viewing Angle 2θ _{1/2} (°)
		I _F =20mA			I _F =20mA			X	Y	
		Min	Typ	Max	Typ	Max				
IE-5WW4UT-D7	Warm White	2.6	3.0	3.6	2000	4800	<10	0.38-0.42	0.38-0.42	100°

★Package Dimension:



★Attention

1. All dimensions are in millimeters (inches).
2. Tolerance is ±0.25mm (0.01") unless otherwise specified.
3. The outstanding gun edge part is biggest not very in 1.5mm.
4. The long feet is a LED Anode.

★Elucidation: =Pb free Soldering Application, Pb<1000ppm(RoHS-Compliant)