

# **LED Display**

## **Product Data Sheet**

### **IE-2R-30563N**

Spec No.:

Effective Date: Oct 24, 2013

## FEATURES

0.56 inch (14.20mm) Digit Height  
Low Power Requirement  
High Brightness and High Contrast  
Excellent Characters Appearance  
IC Compatible , Easy Assembly  
RoHS Compliant

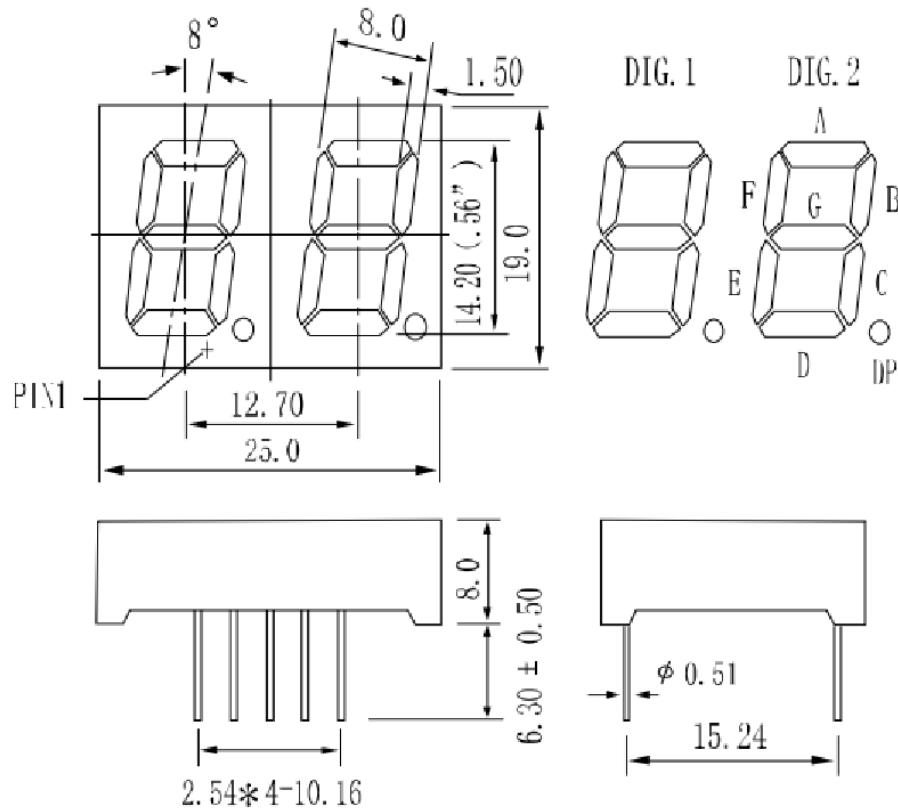
## DESCRIPTION

This is a 0.56 inch (14.20mm) digit height dual digit seven segment LED display. This device utilizes red LED chips, which are made from AlGaInP, and has a black face and white segments.

## DEVICE

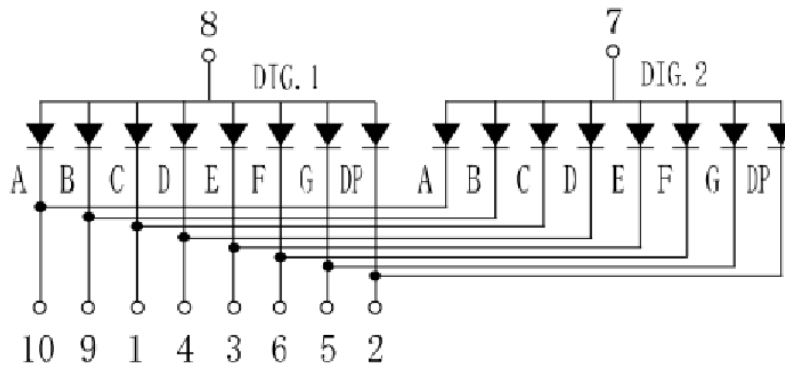
Red	Description
IE-2R-30563N	Common Anode, Right Hand Decimal

**PACKAGE DIMENSIONS**



NOTES: All dimensions are in millimeters (inches). Tolerance is  $\pm 0.25$  (0.010") unless otherwise specified.

**INTERNAL CIRCUIT DIAGRAM**



## **PIN CONNECTION**

<b>PIN NO.</b>	<b>CONNECTION</b>
1	CATHODE C
2	CATHODE DP
3	CATHODE E
4	CATHODE D
5	CATHODE G
6	CATHODE F
7	COMMON ANODE DIG2
8	COMMON ANODE DIG1
9	CATHODE B
10	CATHODE A

**ABSOLUTE MAXIMUM RATINGS AT Ta=25°C**

PARAMETER	SYMBOL	AlGaInP RED	UNIT
Power Dissipation Per Segment	PAD	50	mw
Reverse Voltage Per Segment	VR	5	V
Continuous Forward Current Per Segment	IAF	20	mA
Peak Forward Current Per Segment(Duty-0.1,1KHz)	IPF	60	mA
Operating Temperature Range	TOPr	-20°C to 80°C	
Storage Temperature Range	Tstg	-30°C to 85°C	

Lead Soldering Temperature 260°C at 1.6mm From Body for 3 second

**ELECTRICAL/OPTICAL CHARACTERISTICS AT Ta=25°C****AlGaInP RED**

PARAMETER	SYMBOL	TEST CONDITION	MIN	TYP	MAX	UNIT
Forward Voltage, Per Segment	VF	IF=20mA	1.9	2.0	2.5	V
Reverse Current, Per Segment	IR	VR=5V			50	μA
Peak Emission Wavelength	λp	IF=20mA	630	633	637	nm
Luminous Intensity Per Segment	IV	IF=20mA	23	25	28	mcd

## TYPICAL ELECTRICAL / OPTICAL CHARACTERISTIC CURVES @ TA = 25°C

