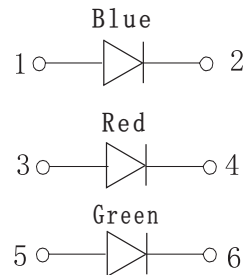
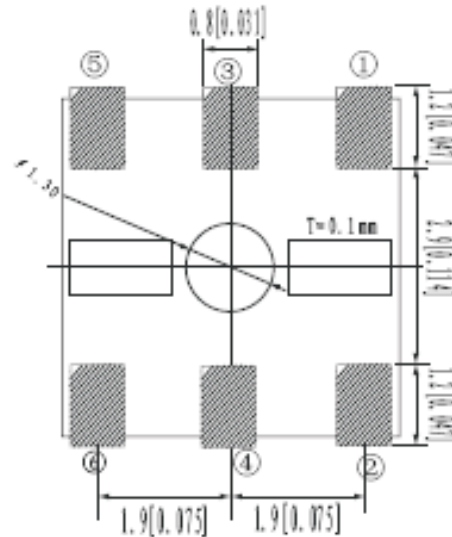
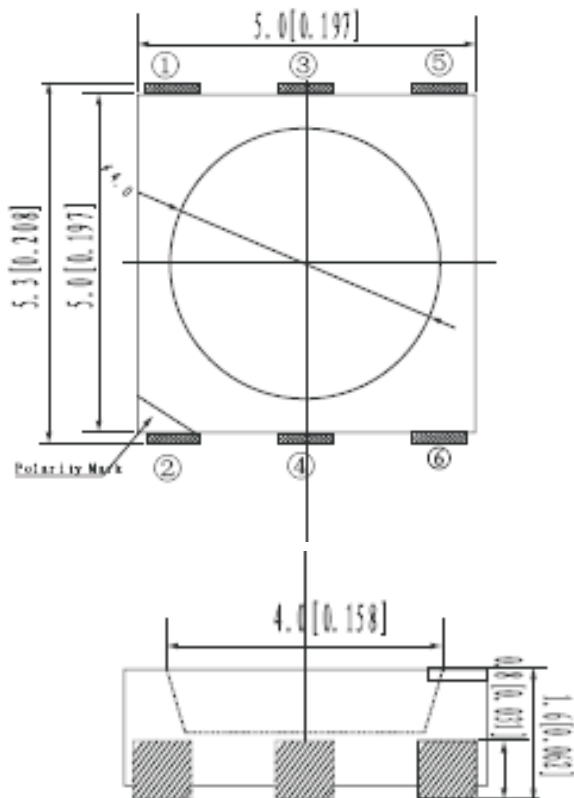


5.0*5.0*1.6mm SMD LED(SMD5050)

MODEL NO.: IE-5050RGB-ST-C

Package outlines



ITEM	MATERIALS
Resin(mold)	Silicone
Bonding Wire	φ21μm Au
Lens color	Water Clear
Printed circuit board	PPA Cu
Emitted color	Red Green Blue
Face color	White

Notes:

- 1、 All dimensions are in mm.
- 2、 Tolerance is ± 0.25 mm unless otherwise noted.

5.0*5.0*1.6mm SMD LED(SMD5050)

Absolute maximum ratings				(T _A =25°C)			
Parameter	Symbol	Value			Unit		
		R	G	B			
Power dissipation	Pd	60	90	90	mW		
Forward current	If	30*3			mA		
Reverse voltage	Vr	5			V		
Operating temperature range	Top	-25~+85			°C		
Storage temperature range	Tstg	-40~+100			°C		
Peak pulsing current	Ifp	100*3			mA		
Electro-optical characteristics				(T _A =25°C)			
Parameter	Symbol	Condition	Color	Min.	Typ.	Max.	Unit
Forward Voltage	V _F	I _F =20mA	RED	1.65	2.0	2.4	V
			GREEN	2.4	2.7	3.2	
			BLUE	2.8	3.1	3.6	
Dominant Wavelength	λ _d	I _F =20mA	RED	617	—	630	nm
			GREEN	516	—	526	
			BLUE	466	—	476	
Spectrum Radiation Bandwidth	Δλ	I _F =20mA	RED	—	25	—	nm
			GREEN	—	20	—	
			BLUE	—	20	—	
Luminous Intensity	IV	I _F =20mA	RED	250	675	1270	mcd
			GREEN	850	1620	4200	
			BLUE	170	340	850	
Reverse Current	IR	VR=5V	—	—	—	10	μA

 NOTE: (Tolerance: I_v±10%, λ_d±2nm, V_f±0.05V)

IFP Conditions: Pulse Width ≤ 10msec. and Duty ≤ 1/10.