

## 5.0mm Round Type LED Lamps

MODEL NO: **IE-5RC3UT-10**

### ★Features:

- Low power consumption;
- High efficiency and high performance;
- Choice of various viewing angles;
- Reliable and robust.

### ★Lens Color:

- Color Diffused       Color Transparent  
 Water Clear       White Diffused

### ★Descriptions:

- The series is specially designed for applications requiring higher brightness.
- The led lamps are available with different Colors, intensities, epoxy colors, etc.

### ★Applications:

- Indicators       Home electric appliance  
 Automotive       Sign & Signal.

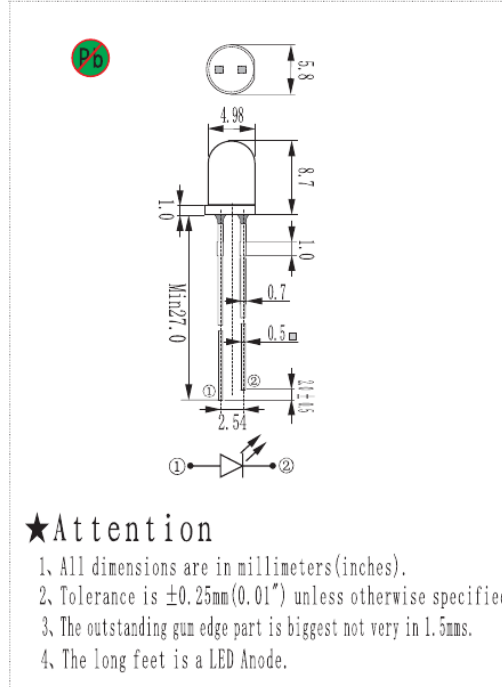
### ★Absolute Maximum Ratings (Ta=25°C):

Parameter	Symbol	Rating	Unit	Remark
Forward Current	I <sub>F</sub>	30	mA	—
Peak Forward Current	I <sub>FP</sub>	100	mA	1/10 Duty Cycle
Reverse Voltage	V <sub>R</sub>	5	V	—
Operating Temperature	T <sub>OPR</sub>	-25 ~ +85	°C	—
Storage Temperature	T <sub>Stg</sub>	-40 ~ +100	°C	—
Soldering Temperature	T <sub>Sol</sub>	260	°C	≤3 seconds
Power Dissipation	P <sub>d</sub>	60	mW	—

### ★Electronic Optical Characteristics (Ta=25°C):

Part Number	Emitting Color	V <sub>F</sub> (V)			I <sub>V(mcd)</sub>		I <sub>r</sub> (μA) VR=5V	λ <sub>m</sub> (nm)	Δλ(nm)	Viewing Angle 2θ <sub>1/2</sub> (°)
		I <sub>F</sub> =20mA			I <sub>F</sub> =20mA					
		Min	Typ	Max	Typ	Max				
IE-5RC3UT-10	RED	1.65	2.0	2.4	15000	25000	<10	620-630	25	8°

### ★Package Dimension:



### ★Attention

1. All dimensions are in millimeters (inches).
2. Tolerance is ±0.25mm (0.01") unless otherwise specified.
3. The outstanding gun edge part is biggest not very in 1.5mm.
4. The long feet is a LED Anode.

★Elucidation: **Pb** = Pb free Soldering Application, Pb < 1000ppm (RoHS-Compliant)