

LED Display

Product Data Sheet

IE-1PG-32301G

Spec No.:

Effective Date: June 20, 2015

FEATURES

2.3 inch (56.8mm) Digit Height
Low Power Requirement
High Brightness and High Contrast
Excellent Characters Appearance
IC Compatible , Easy Assembly
RoHS Compliant

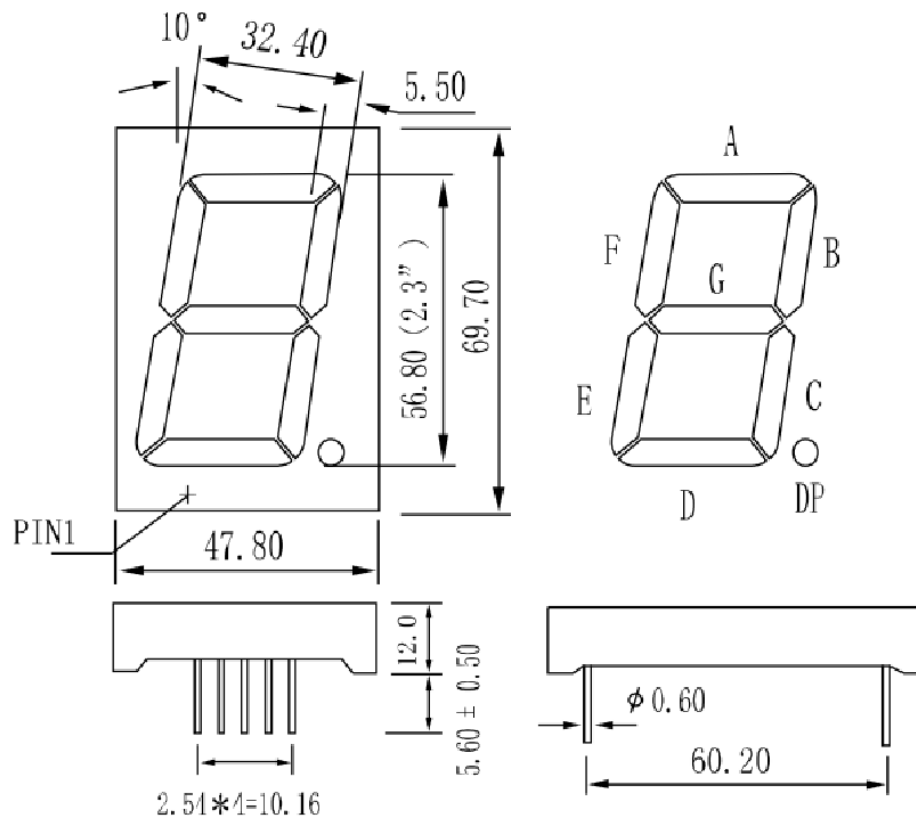
DESCRIPTION

This is a 2.3 inch (56.8mm) digit height single digit seven segment LED display. This device utilizes green LED chips, which are made from InGaN, and has a black face and white segments.

DEVICE

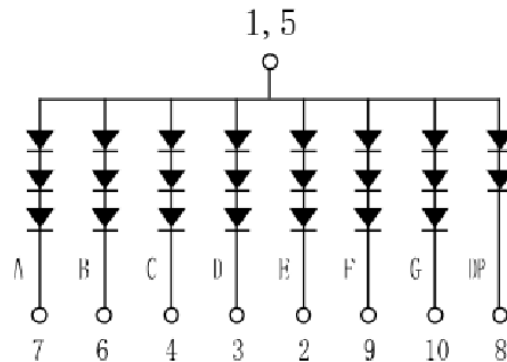
Green	Description
IE-1PG-32301G	Common Anode, Right Hand Decimal
Total 23 Green LED Chips	

PACKAGE DIMENSIONS



NOTES: All dimensions are in millimeters (inches). Tolerance is ± 0.25 (0.010") unless otherwise specified.

INTERNAL CIRCUIT DIAGRAM



PIN CONNECTION

PIN NO.	CONNECTION
1	COMMON ANODE
2	CATHODE E
3	CATHODE D
4	CATHODE C
5	COMMON ANODE
6	CATHODE B
7	CATHODE A
8	CATHODE DP
9	CATHODE F
10	CATHODE G

ABSOLUTE MAXIMUM RATINGS AT Ta=25°C

PARAMETER	SYMBOL	InGaN GREEN	UNIT
Power Dissipation Per Segment	PAD	70	mw
Reverse Voltage Per Segment	VR	5	V
Continuous Forward Current Per Segment	IAF	20	mA
Peak Forward Current Per Segment(Duty-0.1,1KHz)	IPF	100	mA
Operating Temperature Range	TOPr	-20°C to 80°C	
Storage Temperature Range	Tstg	-30°C to 85°C	
Lead Soldering Temperature 260°C at 1.6mm From Body for 3 second			

ELECTRICAL/OPTICAL CHARACTERISTICS AT Ta=25°C**InGaN GREEN**

PARAMETER	SYMBOL	TEST CONDITION	MIN	TYP	MAX	UNIT
Forward Voltage, Per Segment	VF	IF=20mA	3.0	3.2	3.5	V
Reverse Current, Per Segment	IR	VR=5V			50	μA
Peak Emission Wavelength	λp	IF=20mA	512.5		515	nm
Luminous Intensity Per Segment	IV	IF=20mA	200	250	300	mcd

TYPICAL ELECTRICAL / OPTICAL CHARACTERISTIC CURVES @ TA = 25°C

