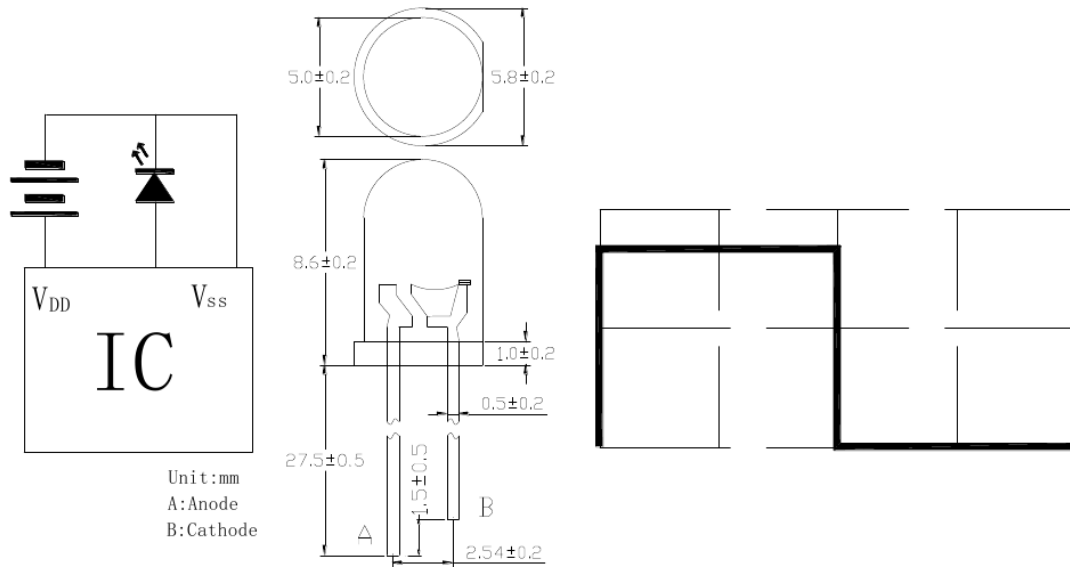


# IE-5YF-C-1,5Hz

**Features:**

- \* 5mm Lamp LED
- \* Flash Color Yellow, 1.5HZ
- \* Low Power Consumption
- \* Ideal For Toy Light-Gift Indicator

**Circuit and Dimensions and Pattern**



**Absolute Maximum Rating**

Item	Symbol	Absolute Maximum Rating	Unit
Forward Current	$I_F$	40	mA
Peak Forward Current*	$I_{FP}$	120	mA
Operating Voltage	$V_{DD}$	4.5	V
Power Dissipation	$P_D$	150	mW
Flash Frequency	$F_{tet}$	1.5(±20%)	Hz
Operation Temperature	$T_{OPR}$	-25~+80	°C
Storage Temperature	$T_{STG}$	-5~+45	°C
Lead Soldering Temperature	$T_{SOL}$	Max.260°C for 5sec Max(3mm from the base of the epoxy bulb)	

**Typical Optical/Electrical Characteristics**

Item	Symbol	Condition	Emitting Color	Min.	Typ.	Max.	Unit
Forward Voltage	$V_F$	$I_F=20mA$	Y	1.8	2.0	2.2	V
Luminous Intensity	$I_V$	$I_F=20mA$	Y	1800	1900	2000	mcd
Viewing Angle	$2\theta_{1/2}$	$I_F=20mA$	/	/	20	/	deg
Prpc Wavelength	$\lambda_D$	$I_F=20mA$	Y	587	589	591	nm

SPEC NO:

REV NO:1.0

DATE: