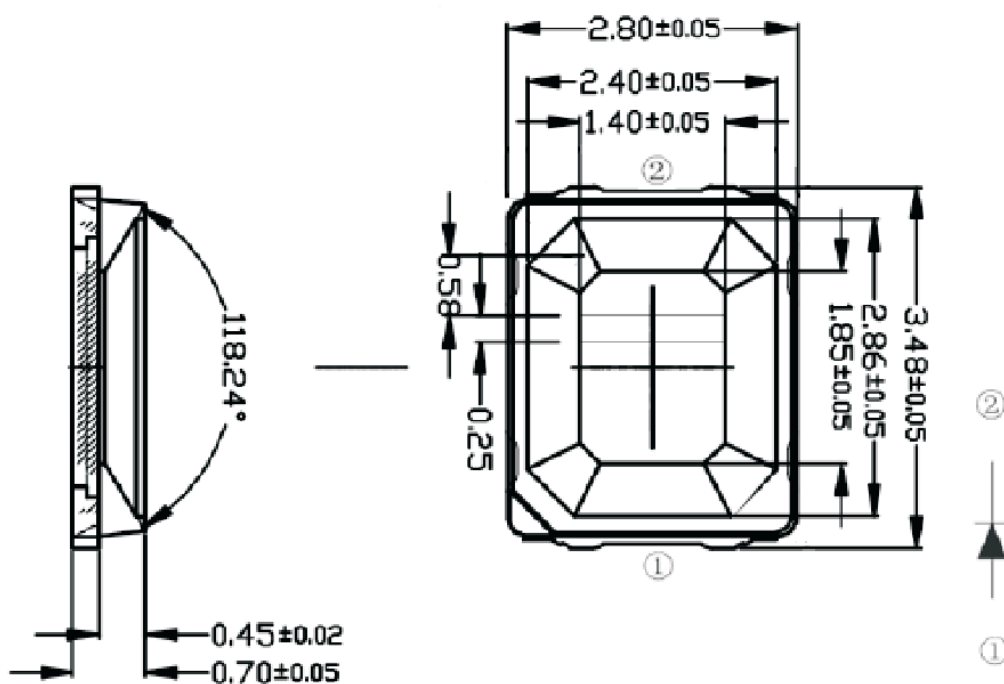


2.8*3.48*0.7mm SMD LED(SMD2835)

MODEL No.: IE-2835R-14S1/J8

Package outlines



ITEM	MATERIALS
Resin(mold)	Silicone
Bonding Wire	Au
Resin color	Water clear
Printed circuit board	PPA. Cu
Dice	—
Emitted color	Red

Notes:

- 1、 All dimensions are in mm.
- 2、 Tolerance is ± 0.25 mm unless otherwise noted.

2.8*3.48*0.7mm SMD LED(SMD2835)

 MODEL No.: IE-2835R-14S1/J8

Absolute maximum ratings		(T _A =25°C)				
Parameter	Symbol	Value			Unit	
		Red				
Power dissipation	Pd	156			mW	
Forward current	If	60			mA	
Reverse voltage	Vr	5			V	
Operating temperature range	Top	-40~+100			°C	
Storage temperature range	Tstg	-40~+100			°C	
Peak pulsing current	Ifp	80			mA	
Electrostatic Discharge	ESD	1000			V	
Electro-optical characteristics		(T _A =25°C)				
Parameter	Test Condition	Symbol	Value			Unit
			Min.	Typ.	Max.	
Luminous Flux	If=60mA	Φ	--	10	--	LM
Spectral half bandwidth	If=60mA	Δλ	--	20	--	nm
Dominant wavelength	If=60mA	λ _D	615	--	630	nm
Forward voltage	If=60mA	Vf	1.8	2.0	2.6	V
Luminous intensity	If=60mA	I _v	--	2000	--	mcd
Viewing angle at 50% I _v	If=60mA	2θ _{1/2}	--	120	--	Deg
Reverse current	Vr=5V	I _r	--	--	10	μA
NOTE: IFP Conditions:Pulse Width≤10msec. and Duty ≤1/10.						