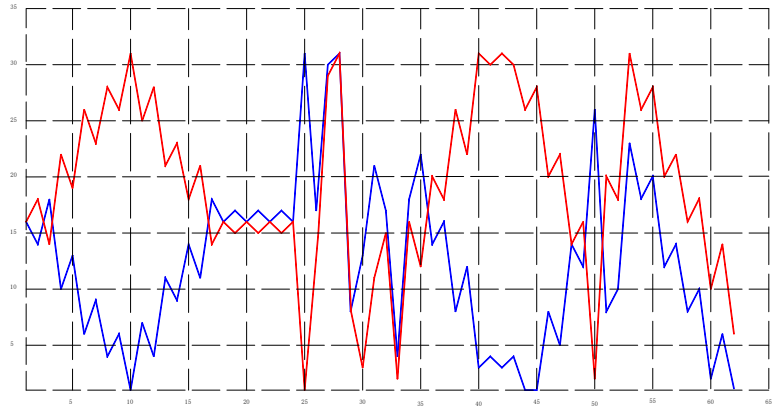
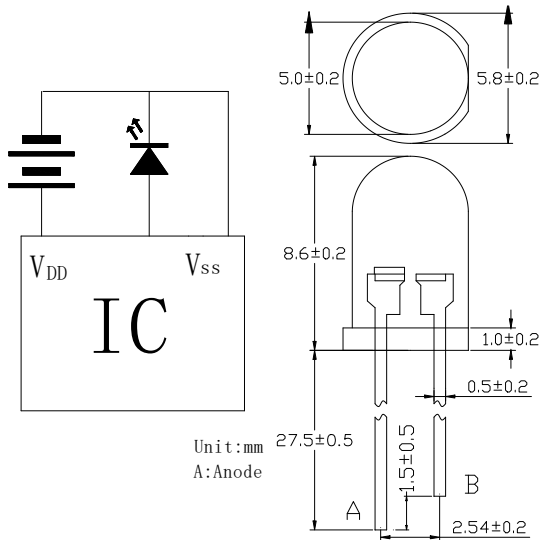


Features:

- * 5mm Lamp LED
- * Candle Flash Color Blue
- * Low Power Consumption
- * Ideal For Toy Light-Gift Indicator

Part No.: IE-5B-C-SJF

Circuit and Dimensions and Pattern



Absolute Maximum Rating

Item	Symbol	Absolute Maximum Rating	Unit
Forward Current	I_F	20	mA
Peak Forward Current*	I_{FP}	100	mA
Operating Voltage	V_{DD}	4.0	V
Power Dissipation	P_D	150	mW
Flash Cycle	F_{cyc}	/	S
Operation Temperature	T_{OPR}	-25~+80	°C
Storage Temperature	T_{STG}	-5~+45	°C
Lead Soldering Temperature	T_{SOL}	Max.260°C for 5sec Max(3mm from the base of the epoxy bulb)	

Typical Optical/Electrical Characteristics

Item	Symbol	Condition	Emitting Color	Min.	Typ.	Max.	Unit
Forward Voltage	V_F	$I_F=20mA$	Blue	3.2		4.0	V
Luminous Intensity	I_V	$I_F=20mA$	Blue	1500		2500	mcd
Viewing Angle	2θ1/2	$I_F=20mA$	/	20	30		deg
Prpc Wavelength	λ_e	$I_F=20mA$	Blue	460		470	nm