

## Specification for Approval

( Customer Name ): \_\_\_\_\_

( Product ID ): **IE-5WG4-Y-T-1,5Hz** \_\_\_\_\_

( Product Model ): \_\_\_\_\_

( Product Specifications ): **5mm Green Candle Flickering LED** \_\_\_\_\_

( Date ): \_\_\_\_\_

( Customer acknowledges that )

( Peng Yuan Optoelectronics )

Approved

Audit

Confirm

Business

Engineering

Make

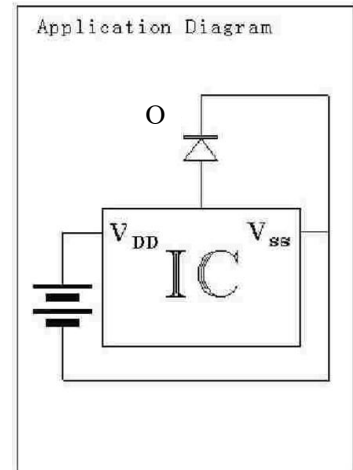
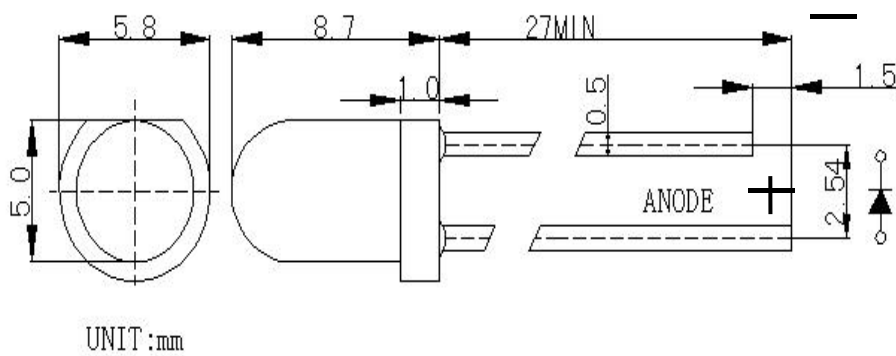
( Customer acknowledges that ): Qualified

Failure

( Customer feedback ):

**Product Model:**

**Dimensions:** Unit: mm [inch]



(Notes:)

1. All dimension units are millimeters.
2. All dimension tolerance is  $\pm 0.05\text{mm}$  unless otherwise noted.
3. An epoxy meniscus may extend about 1.5mm down the leads
- 4.

LED Chip		Flash Frequency	Lens Color
Material	Emitting Color	(HKZ)	
InGaN	<b>Green</b>	<b>1.5</b>	<b>Water Clear</b>

**Product Mode I:****Absolute Maximum Ratings at (Ta = 25°C)**

ITEMS	SYMBOL	ABSOLUTE MAXIMUM RATING	UNIT
Forward Current	IF	50	mA
Peak Forward Current	IFP	220	mA
Continuous Forward Current	IL	20	mA
Reverse Voltage	VR	5	V
Power Dissipation	PD	60	mW
Operation Temperature	Topr	-40 ~ +80	°C
Storage Temperature	Tstg	-40 ~ +80	°C
Lead Soldering Temperature	Tsol	Please kindly refer to the details in attached file	

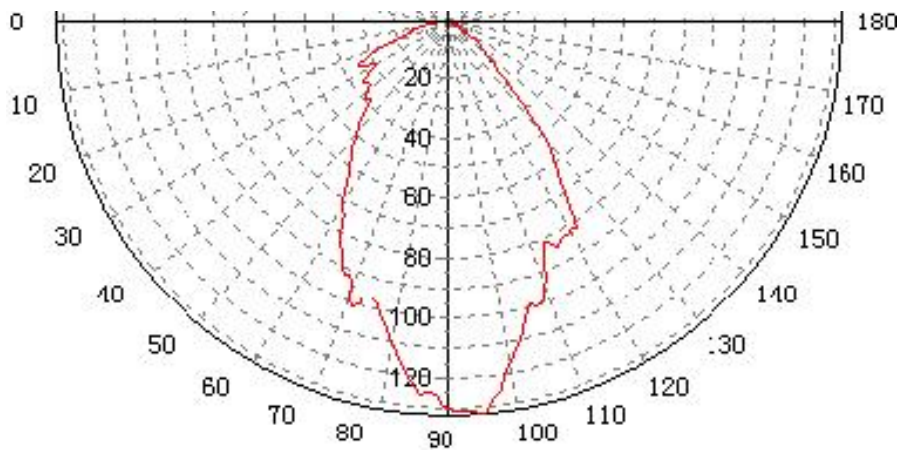
**Typical Electrical & Optical Characteristics (Ta = 25°C)**

ITEMS	Symbol	Test Condition	Min.	Typ.	Max.	Unit
Luminous Intensity	Iv	IF=20mA	8000	---	10000	mcd
Forward Voltage	IF	IF=20mA	3.0	---	3.5	V
Peak Wavelength	λP	IF=20mA	---	---	---	nm
Dominant Wavelength	λD	IF=20mA	520	---	530	nm
Viewing Angle	2θ1/2	IF=20mA	20	---	30	Deg
Luminous flux	Iv	IF=20mA	---	---	---	LM
Color Rendering Index Calculation	Spm	X	---	---	---	---
	Spm	Y	---	---	---	---
Color Temperature	TC	IF=20mA	---	---	---	K

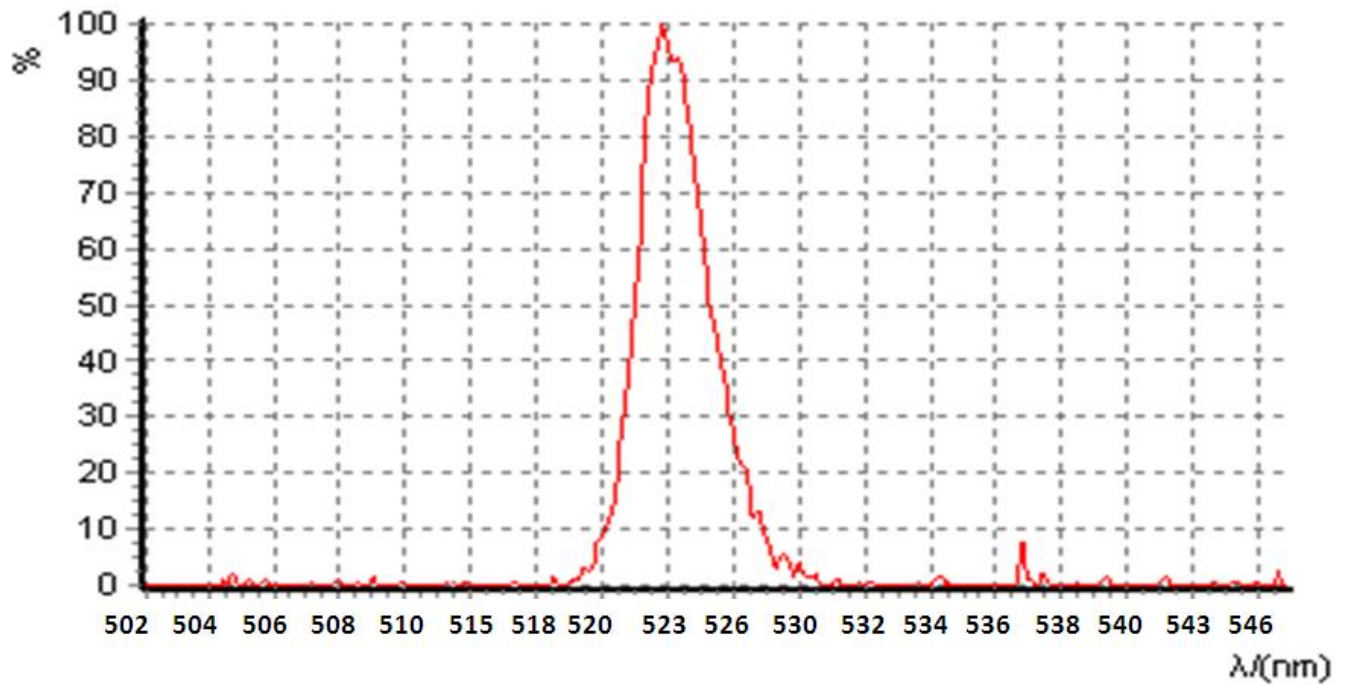
---

Product Mode I:

Spatial Distribution



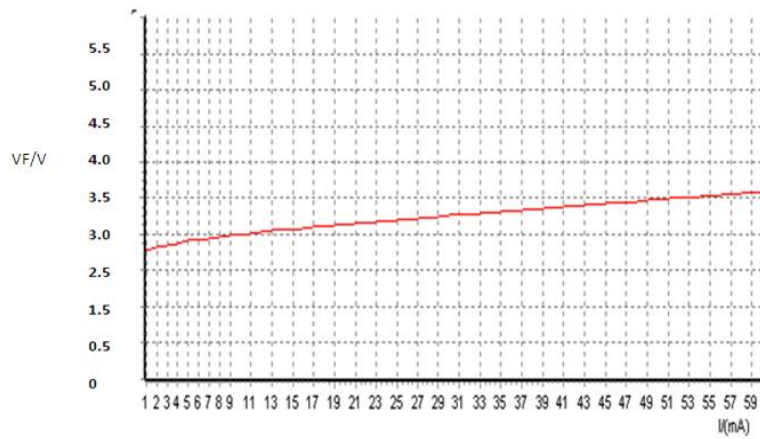
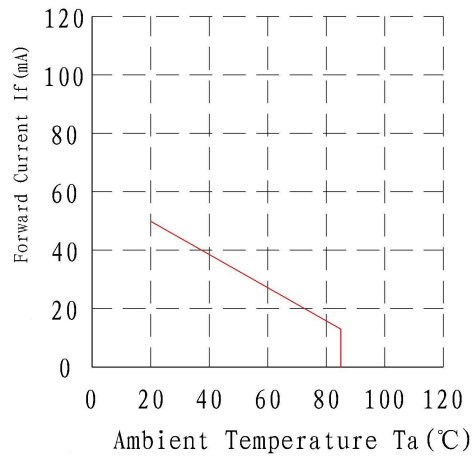
Relative Spectral Distribution Curve



## Product Mode I:

Typical Optical/Electrical Characteristics Curves (Ta=25°C Unless Otherwise Noted)

### Current-Voltage Curve



### Current-Luminous intensity Curve

