

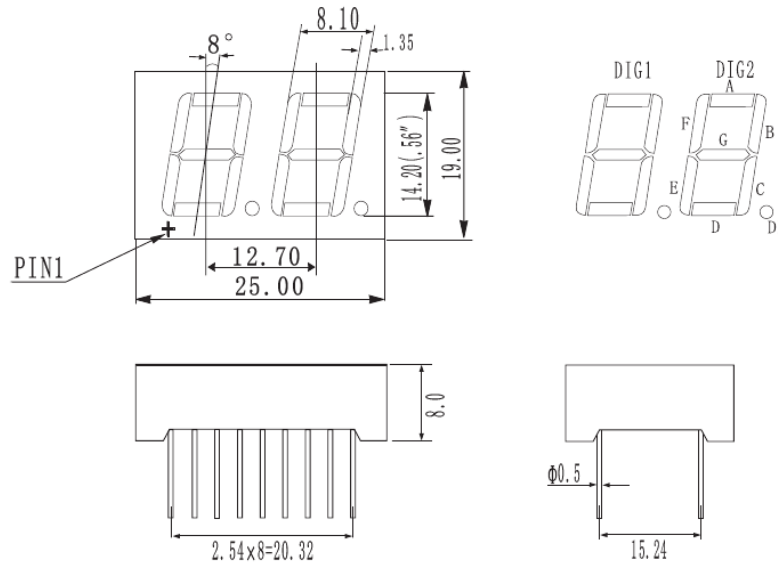
0.56" Dual Digit LED Display

Model NO. : IE-2WN-10563WC

Chip (Ta=±25℃)		PIN	Drive Mode	Face
Quantity	Emitting color			
16ea	WHITE	10.28mm	Common Anode	Black

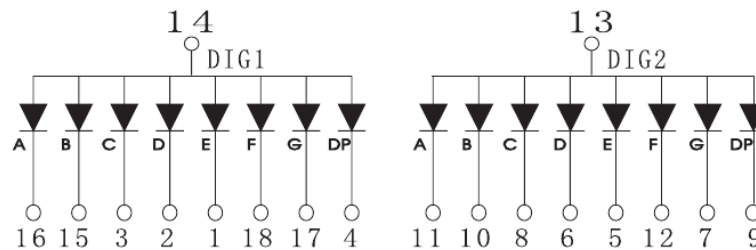
■ Package Outlines

(unit:mm)



- Notes:
 1. All dimensions are in millimeters (inches);
 2. Tolerances is ±0.25 (0.01") unless otherwise noted.

■ Internal Circuit:



0.56" Dual Digit LED Display

Model NO. : IE-2WN-10563WC

■ Absolute Maximum Ratings (Ta=+25°C)

Characteristics	Symbol	Rating	Unit	Remarks
Forward current/segment	I_F	30	mA	——
Peak forward current/segment	$I_{F(Peak)}$	100	mA	1/10 Duty Cycle
Reverse Voltage/segment	V_R	5	V	——
Operating Temperature	T_{Opr}	-25 ~ +80	°C	——
Storage Temperature	T_{Stg}	-40 ~ +85	°C	——
Solder Temperature	T_{Sol}	260	°C	<5 seconds
Power Dissipation/segment	P_d	100	mw	——

■ Electro-Optical Characteristics (Ta=25°C):

Parameter	SYMBOL	Test condition	Min.	Typ.	Max.	UNIT
Forward Voltage/segment	V_F	$I_F=20mA$	——	3.0	——	V
Chromaticity Coordinates	$\frac{x}{y}$	$I_F=20mA$	——	$\frac{0.28}{0.28}$	——	nm
Spectrum width (Half value)	$\Delta \lambda$	$I_F=20mA$	——	20	——	nm
Luminous Intensity/segment	I_V	$I_F=20mA$	——	50	——	mcd
Reverse current/segment	I_R	$V_R=5V$	——	——	10	μA