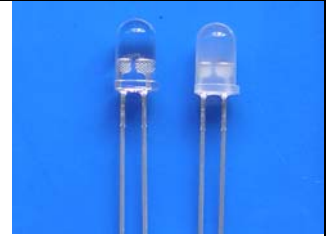


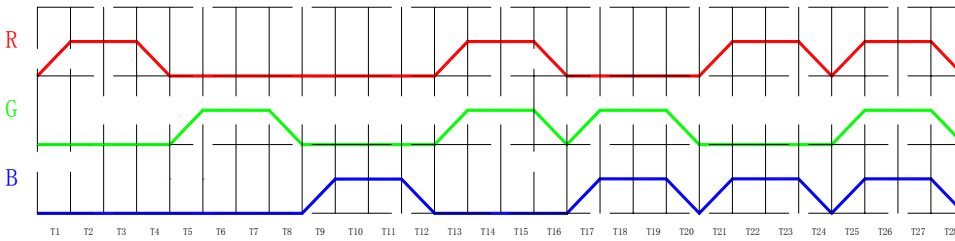
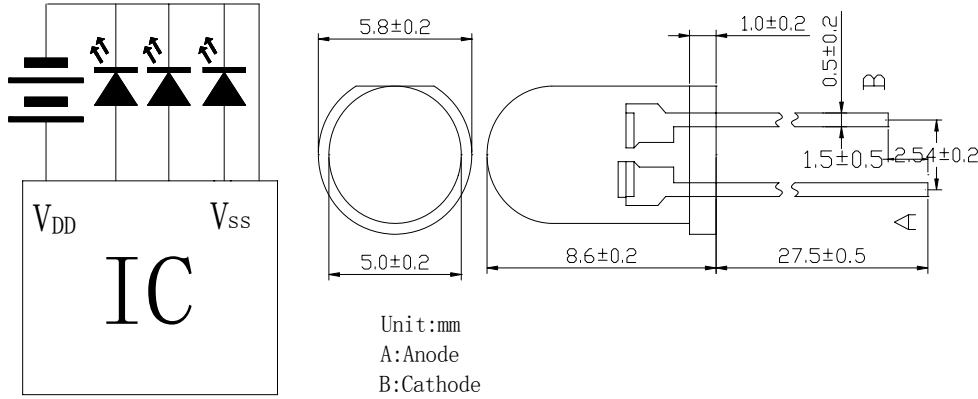
IE-5RGB-C2-JF

Features:

- * 5mm Lamp LED
- * Flash Color Red Green Blue
- * Low Power Consumption
- * Ideal For Toy Light-Gift Indicator



Circuit and Dimensions and Pattern



Absolute Maximum Rating

Item	Symbol	Absolute Maximum Rating	Unit
Forward Current	I_F	40	mA
Peak Forward Current*	I_{FP}	120	mA
Operating Voltage	V_{DD}	4.5	V
Power Dissipation	P_D	150	mW
Flash Cycle	F_{cyc}	33.8 (±20%)	S
Operation Temperature	T_{OPR}	-25~+80	°C
Storage Temperature	T_{STG}	-5~+45	°C
Lead Soldering Temperature	T_{SOL}	Max. 260°C for 5sec Max(3mm from the base of the epoxy bulb)	

Typical Optical/Electrical Characteristics

Item	Symbol	Condition	Emitting Color	Min.	Typ.	Max.	Unit
Forward Voltage	V_F	$I_F=20mA$	R	1.8	2.0	2.3	V
			G	2.8	3.2	3.4	
			B	2.8	3.2	3.4	
Luminous Intensity	I_V	$I_F=20mA$	R	1000	1200	1500	mcd
			G	2000	3000	3500	
			B	1500	2000	2500	
Viewing Angle	2θ 1/2	$I_F=20mA$	/	20		deg	
Prpc Wavelength	λ_D	$I_F=20mA$	R	620	625	630	nm
			G	500	515	520	
			B	460	465	470	