

5.0mm Round Type LED Lamps

MODEL NO : IE-5PR4ST-8W

★Features:

- Low power consumption;
- High efficiency and high performance;
- Choice of various viewing angles;
- Reliable and robust.

★Lens Color:

- Color Diffused Color Transparent
 Water Clear White Diffused

★Descriptions:

- The series is specially designed for applications requiring higher brightness.
- The led lamps are available with different Colors, intensities, epoxy colors, etc.

★Applications:

- Indicators Home electric appliance
 Automotive Sign & Signal.

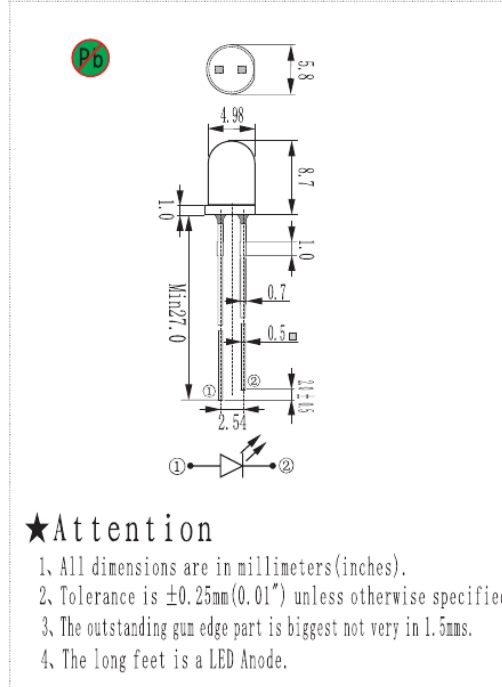
★Absolute Maximum Ratings (Ta=25°C):

| Parameter | Symbol | Rating | Unit | Remark |
|-----------------------|-----------|------------|------|-----------------|
| Forward Current | I_F | 30 | mA | — |
| Peak Forward Current | I_{FP} | 100 | mA | 1/10 Duty Cycle |
| Reverse Voltage | V_R | 5 | V | — |
| Operating Temperature | T_{OPR} | -25 ~ +85 | °C | — |
| Storage Temperature | T_{Stg} | -40 ~ +100 | °C | — |
| Soldering Temperature | T_{Sol} | 260 | °C | ≤3 seconds |
| Power Dissipation | P_d | 80 | mW | — |

★Electronic Optical Characteristics (Ta=25°C):

| Part Number | Emitting Color | V_F (V) $I_F=20mA$ | | | I_V (mcd) $I_F=20mA$ | | I_R (μA) $V_R=5V$ | λ_p (nm) | $\Delta\lambda$ (nm) | Viewing Angle 2θ _{1/2} (°) |
|--------------|----------------|-------------------------|-----|-----|---------------------------|-----|------------------------|------------------|----------------------|--|
| | | Min | Typ | Max | Typ | Max | | | | |
| IE-5PR4ST-8W | PURPLE | 2.8 | 3.0 | 3.8 | 140 | 300 | <10 | 400-410 | 25 | 15° |

★Package Dimension:



★Attention

1. All dimensions are in millimeters (inches).
2. Tolerance is $\pm 0.25mm$ (0.01") unless otherwise specified.
3. The outstanding gun edge part is biggest not very in 1.5mm.
4. The long feet is a LED Anode.

★Elucidation: **Pb** = Pb free Soldering Application, Pb < 1000ppm (RoHS-Compliant)