

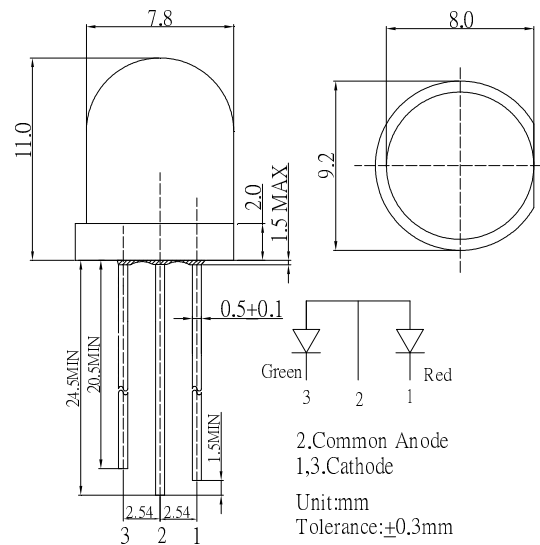
■ **Features**

- High Luminous LEDs
- 8mm Round Standard Directivity
- Superior Weather-resistance
- UV Resistant Epoxy
- White diffused Type

■ **Applications**

- Toys
- Games
- Audio
- Other Lighting

■ **Outline Dimension**

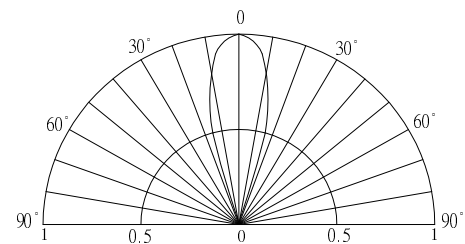


■ **Absolute Maximum Rating**

(Ta=25°C)

Item	Symbol	Value		Unit
		Red	Green	
DC Forward Current	I <sub>F</sub>	50	30	mA
Pulse Forward Current*	I <sub>FP</sub>	120	100	mA
Reverse Voltage	V <sub>R</sub>	5	5	V
Power Dissipation	P <sub>D</sub>	120	108	mW
Operating Temperature	Topr	-30~ +85		°C
Storage Temperature	Tstg	-40 ~ +100		°C
Lead Soldering Temperature	Tsol	260°C/5sec		-

■ **Directivity**



\*Pulse width Max.10ms Duty ratio max 1/10

■ **Electrical -Optical Characteristics**

(Ta=25°C)

Item	Symbol	Condition	Min.	Typ.	Max.	Unit
DC Forward Voltage	V <sub>F</sub> (Red)	I <sub>F</sub> =20mA	1.8	2.1	2.4	V
DC Forward Voltage	V <sub>F</sub> (Green)	I <sub>F</sub> =20mA	2.9	3.1	3.6	V
DC Reverse Current	I <sub>R</sub>	V <sub>R</sub> =5V	-	-	10	μA
Domi. Wavelength*	λ <sub>D</sub> (Red)	I <sub>F</sub> =20mA	619	624	629	nm
	λ <sub>D</sub> (Green)	I <sub>F</sub> =20mA	520	525	530	nm
Luminous Intensity*	I <sub>v</sub> (Red)	I <sub>F</sub> =20mA	1560	2180	3000	mcd
	I <sub>v</sub> Green)	I <sub>F</sub> =20mA	2180	3000	4200	mcd
50% Power Angle	2θ <sub>1/2</sub>	I <sub>F</sub> =20mA	-	30	-	deg

\*1 Tolerance of dominant wavelength is ±1nm

\*2 Tolerance of luminous intensity is ±15%