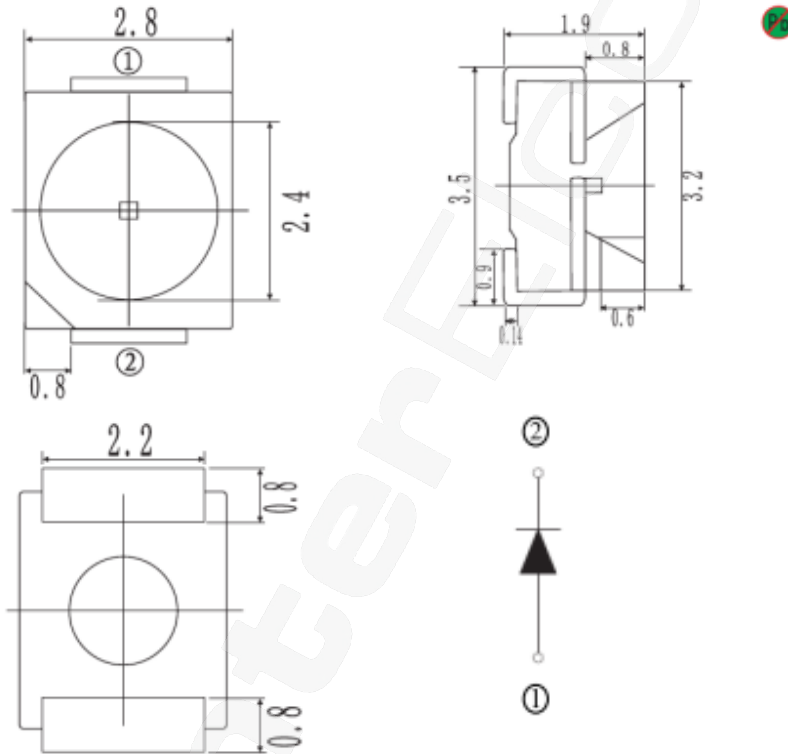


3.5*2.8*1.9mm SMD LED

MODEL No.: IE-35W28-5E5D/J8

Package outlines



ITEM	MATERIALS
Resin(mold)	Silicone
Bonding Wire	φ 25μmAu
Lens color	Water transparent
Printed circuit board	PPA
Dice	—
Emitted color	White

Notes:

- 1、 All dimensions are in mm.
- 2、 Tolerance is ± 0.25 mm unless otherwise noted.

- ▲ LEDs
- ▲ Infrared LEDs
- ▲ LED Displays
- ▲ LCD Backlight
- ▲ LED Light

3.5*2.8*1.9mm SMD LED

MODEL No.: IE-35W28-5E5D/J8

Absolute maximum ratings				(T _A =25°C)		
Parameter	Symbol	Value			Unit	
		W				
Power dissipation	P _d	100			mW	
Forward current	I _f	50			mA	
Reverse voltage	V _r	5			V	
Operating temperature range	T _{op}	-25~+85			°C	
Storage temperature range	T _{stg}	-40~+100			°C	
Peak pulsing current	I _{fp}	100			mA	
Electrostatic Discharge	ESD	1000			V	
Electro-optical characteristics				(T _A =25°C)		
Parameter	Test Condition	Symbol	Value			Unit
			Min.	Typ.	Max.	
Color Temperature	I _f =20mA	TC	6000	--	6500	K
Luminous Flux	I _f =20mA	φ	7	--	8	LM
Dominant wavelength	I _f =20mA	λ _D	--	--	--	NM
Forward voltage	I _f =20mA	V _f	3.0	3.2	3.6	V
Luminous intensity	I _f =20mA	I _v	--	2000	--	mcd
Viewing angle at 50% I _v	I _f =20mA	2θ _{1/2}	--	125	--	Deg
Reverse current	V _r =5V	I _r	--	--	10	μA
NOTE: IFP Conditions:Pulse Width≤10msec. and Duty ≤1/10.						

- ▲ LEDs
- ▲ LED Displays
- ▲ LED Light
- ▲ Infrared LEDs
- ▲ LCD Backlight