

5.0mm Round Type LED Lamps

MODEL NO: **IE-5RDSG9UW-B/10**

★Features:

- Two chips are matched for uniform light output;
- Long life-solid state reliability;
- IC compatible/low power consumption;

★Lens Color:

- Water Clear White Diffused

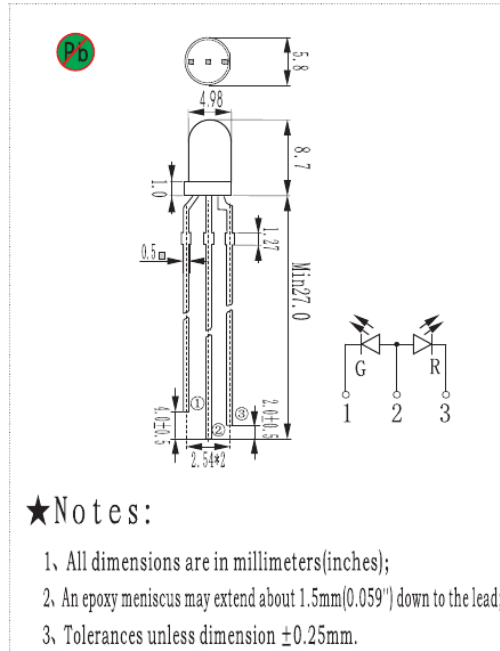
★Descriptions:

- The LED Lamp contains two integral chips And is available as both bicolor and bipolar types;
- The Super Red and Super Green Light are emitted by diodes of GaAlAs and GaP respectively;

★Applications:

- TV set ● Monitor ● Telephone ● Computer

★Package Dimension:



★Notes:

1. All dimensions are in millimeters(inches);
2. An epoxy meniscus may extend about 1.5mm(0.059") down to the lead;
3. Tolerances unless dimension ± 0.25 mm.

★Absolute Maximum Ratings (Ta=25°C) :

Parameter	Symbol	Rating	Unit	Remark
Forward Current	I_{FM}	30	mA	—
Peak Forward Current	I_{FP}	100	mA	1/10 Duty Cycle
Reverse Voltage	V_R	5	v	—
Operating Temperature	T_{OPR}	-25 + 85	°C	—
Storage Temperature	T_{Stg}	-40 + 100	°C	—
Soldering Temperature	T_{Sol}	260	°C	<3 seconds
Power Dissipation	P_d	100	mW	—

★Electronic Optical Characteristics (Ta=25°C) :

Part Number	Emitting Color	$V_F(V)$ $I_F=20mA$			$I_V(mcd)$ $I_F=20mA$		$I_r(\mu A)$ $V_R=5V$	$\lambda_m (nm)$	$\Delta\lambda(nm)$	Viewing Angle $2\theta_{1/2}(^\circ)$
		Min	Typ	Max	Typ	Max				
IE-5RDSG9UW-B/10	RED	1.65	2.1	2.4	880	2000	<10	620-630	25	60°
	GREEN	2.8	3.1	3.8	1150	2600		520-530	25	

★Elucidation: =Pb free Soldering Application, Pb<1000ppm(RoHS-Compliant)