

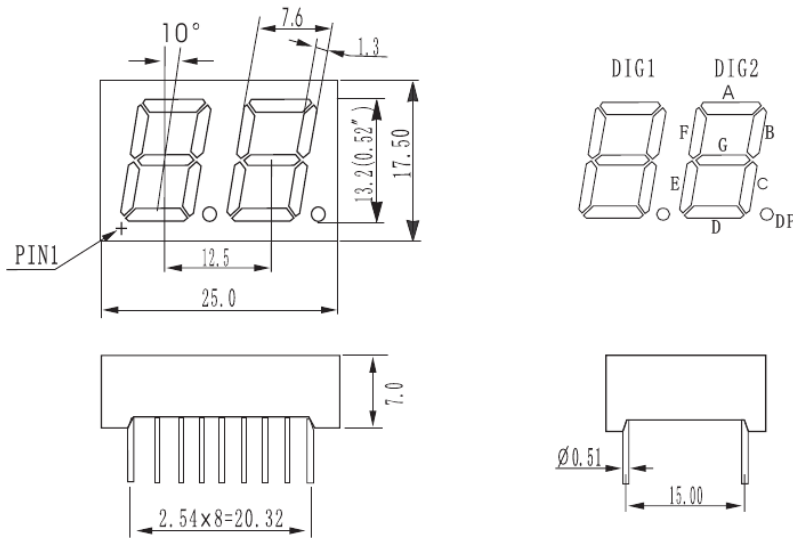
0.52" Dual Digit LED Display

Model NO. : IE-2G-105213-GC

Chip (Ta=±25°C)		PIN 10.28mm	Drive Mode Common Anode	Face
Quantity 16ea	Emitting color Yellow Green			Gray

Package Outlines

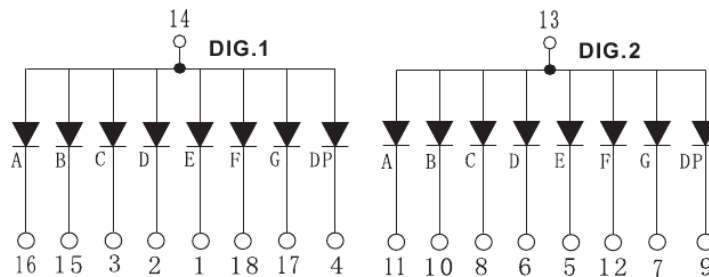
(unit:mm)



Notes:

1. All dimensions are in millimeters (inches);
2. Tolerances is ± 0.25 (0.01") unless otherwise noted.

Internal Circuit:



0.52" Dual Digit LED Display

Model NO. : IE-2G-105213-GC

■ Absolute Maximum Ratings (Ta=+25°C)

Characteristics	Symbol	Rating	Unit	Remarks
Forward current/segment	I_F	30	mA	——
Peak forward current/segment	$I_{F(Peak)}$	100	mA	1/10 Duty Cycle
Reverse Voltage/segment	V_R	5	V	——
Operating Temperature	T_{Opr}	-25~+80	°C	——
Storage Temperature	T_{Stg}	-40~+85	°C	——
Solder Temperature	T_{Sol}	260	°C	<5 seconds
Power Dissipation/segment	P_d	65	mw	——

■ Electro-Optical Characteristics (Ta=25°C) :

Parameter	Symbol	Test condition	Min.	Typ.	Max.	Unit
Forward Voltage/segment	V_F	$I_F=20mA$	1.8	2.1	2.6	V
Dominant Wavelength	λ_D	$I_F=20mA$	565	570	575	nm
Spectrum width (Half value)	$\Delta \lambda$	$I_F=20mA$	——	35	——	nm
Luminous Intensity/segment	I_V	$I_F=20mA$	——	35	——	mcd
Reverse current/segment	I_R	$V_R=5V$	——	——	10	μA