

## 4.8mm Helmet Type LED Lamps

MODEL NO : IE-5WC4UT-D7

### ★Features:

- Fluorescence Type;
- High Luminous Intensity;
- High Efficiency;

### ★Lens Color:

- Color Diffused       Color Transparent  
 Water Clear       White Diffused

### ★Descriptions:

- The white LED which was fabricated using a blue LED and a phosphor, and the phosphor is excited by blue light and emits yellow fluorescence. The mixture of blue light and yellow light results in a white emission.

### ★Applications:

- OA Equipment;
- Backlighting of LCD;
- Automotive Equipment;
- Replacement of Conventional Light Bulbs and Fluorescent Lamps.

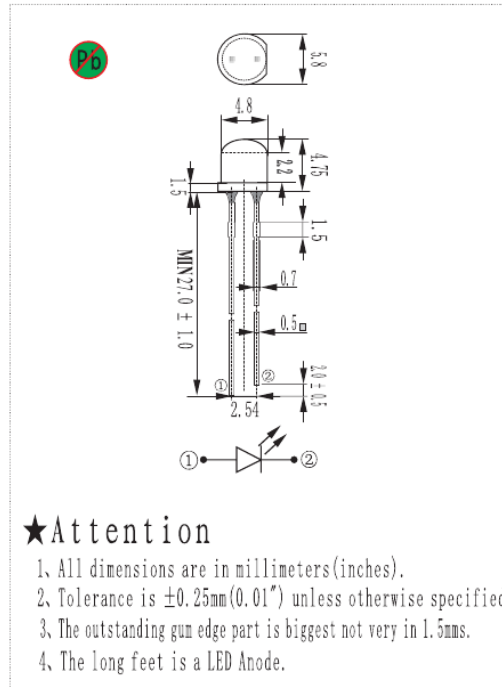
### ★Absolute Maximum Ratings (Ta=25°C) :

Parameter	Symbol	Rating	Unit	Remarks
Forward Current	I <sub>F</sub>	30	mA	—
Peak Forward Current	I <sub>FP</sub>	100	mA	1/10 Duty Cycle
Reverse Voltage	V <sub>R</sub>	5	V	—
Operating Temperature	T <sub>OPR</sub>	-25 ~+85	°C	—
Storage Temperature	T <sub>Stg</sub>	-40 ~+100	°C	—
Soldering Temperature	T <sub>SoL</sub>	260	°C	<3 seconds
Power Dissipation	P <sub>d</sub>	100	mW	—

### ★Electronic Optical Characteristics (Ta=25°C) :

Part Number	Emitting Color	V <sub>F</sub> (V)			I V <sub>(mcd)</sub>		I <sub>r</sub> (μA) VR=5V	Chromaticity Coordinates		Viewing Angle 2θ <sub>1/2</sub> (°)
		I <sub>F</sub> =20mA			I <sub>F</sub> =20mA			X	Y	
		Min	Typ	Max	Typ	Max				
IE-5WC4UT-D7	Cool White	2.8	3.0	3.6	3000	7000	<10	0.25-0.29	0.25-0.29	100°

### ★Package Dimension:



### ★Attention

1. All dimensions are in millimeters (inches).
2. Tolerance is ±0.25mm (0.01") unless otherwise specified.
3. The outstanding gun edge part is biggest not very in 1.5mm.
4. The long feet is a LED Anode.

★Elucidation: =Pb free Soldering Application, Pb<1000ppm(RoHS-Compliant)