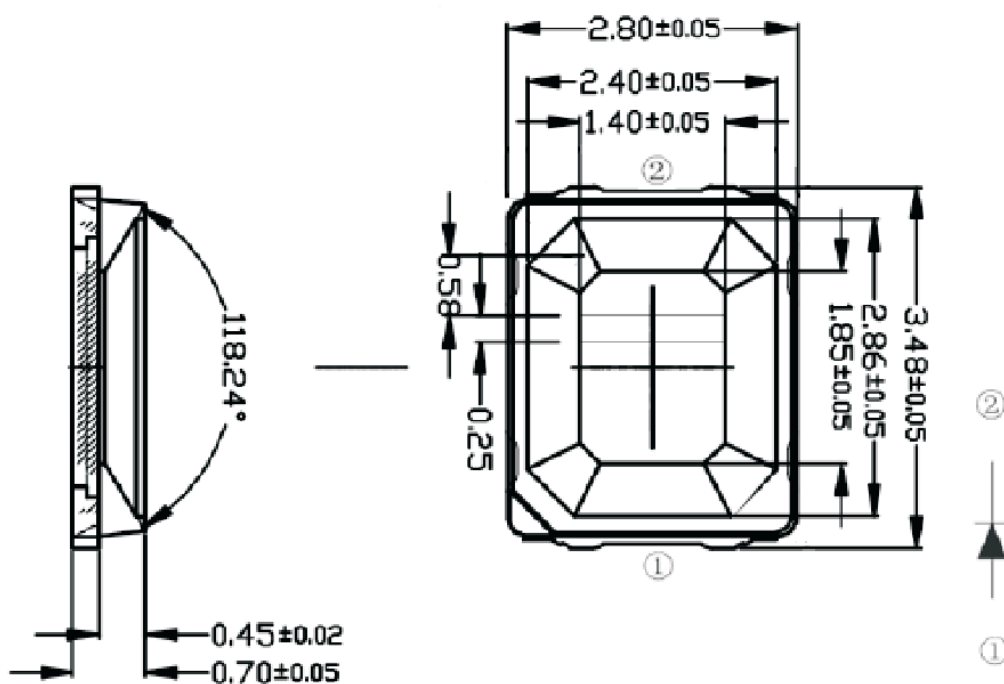


2.8*3.48*0.7mm SMD LED(SMD2835)

MODEL No.: **IE-2835O-23B/J8**

Package outlines



ITEM	MATERIALS
Resin(mold)	Silicone
Bonding Wire	Au
Resin color	Water clear
Printed circuit board	PPA. Cu
Dice	—
Emitted color	Orange

Notes:

- 1、 All dimensions are in mm.
- 2、 Tolerance is ± 0.25 mm unless otherwise noted.

2.8*3.48*0.7mm SMD LED(SMD2835)

 MODEL No.: **IE-28350-23B/J8**

Absolute maximum ratings				(T _A =25°C)		
Parameter	Symbol	Value			Unit	
		Orange				
Power dissipation	Pd	156			mW	
Forward current	If	60			mA	
Reverse voltage	Vr	5			V	
Operating temperature range	Top	-40~+85			°C	
Storage temperature range	Tstg	-40~+85			°C	
Peak pulsing current	Ifp	100			mA	
Electrostatic Discharge	ESD	1000			V	
Electro-optical characteristics				(T _A =25°C)		
Parameter	Test Condition	Symbol	Value			Unit
			Min.	Typ.	Max.	
Luminous Flux	If=60mA	Φ	--	10	--	LM
Spectral half bandwidth	If=60mA	Δλ	--	20	--	nm
Dominant wavelength	If=60mA	λ _D	600	--	610	nm
Forward voltage	If=60mA	Vf	2.0	2.4	2.8	V
Luminous intensity	If=60mA	I _v	1400	2000	2800	mcd
Viewing angle at 50% I _v	If=60mA	2θ _{1/2}	--	120	--	Deg
Reverse current	Vr=5V	I _r	--	--	10	μA
NOTE: IFP Conditions:Pulse Width≤10msec. and Duty ≤1/10.						