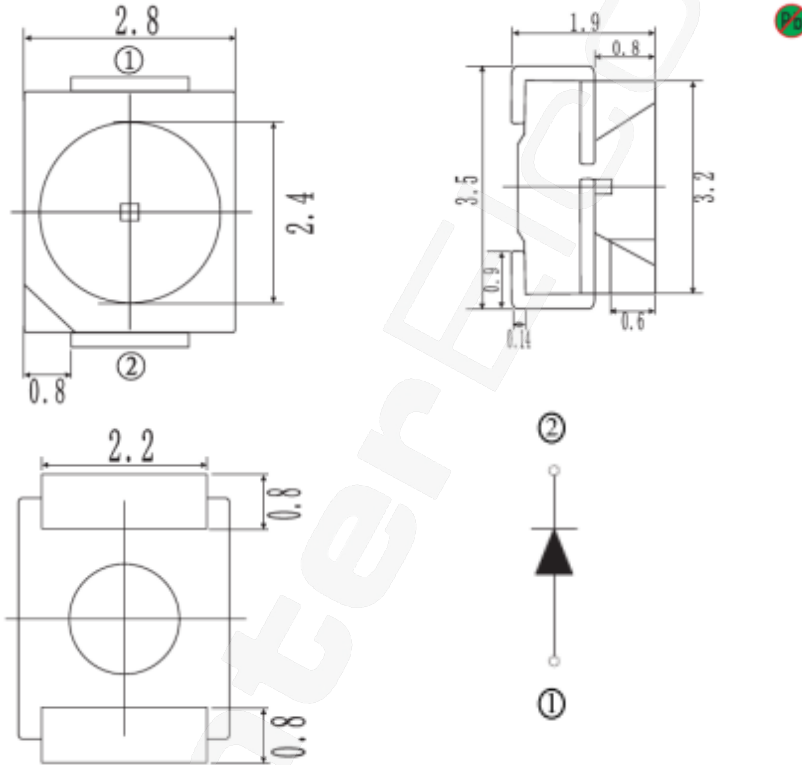


3.5*2.8*1.9mm SMD LED

MODEL NO.: IE-35UG28-44C2/J8

Package outlines



ITEM	MATERIALS
Resin(mold)	Silicone
Bonding Wire	φ 25μmAu
Lens color	Water transparent
Printed circuit board	PPA
Dice	—
Emitted color	Green

Notes:

- 1、 All dimensions are in mm.
- 2、 Tolerance is ± 0.25 mm unless otherwise noted.

3.5*2.8*1.9mm SMD LED

 MODEL NO.: IE-35UG28-44C2/J8

Absolute maximum ratings (T_A=25°C)						
Parameter	Symbol	Value			Unit	
		G				
Power dissipation	P _d	100			mW	
Forward current	I _f	30			mA	
Reverse voltage	V _r	5			V	
Operating temperature range	T _{op}	-40~+100			°C	
Storage temperature range	T _{stg}	-40~+100			°C	
Peak pulsing current	I _{fp}	100			mA	
Electrostatic Discharge	ESD	1000			V	
Electro-optical characteristics (T_A=25°C)						
Parameter	Test Condition	Symbol	Value			Unit
			Min.	Typ.	Max.	
Wavelength at peak emission	I _f =20mA	λ _{peak}	--	--	--	nm
Spectral half bandwidth	I _f =20mA	Δλ	--	35	--	nm
Dominant wavelength	I _f =20mA	λ _{dom}	515	--	525	nm
Forward voltage	I _f =20mA	V _f	2.8	3.2	3.6	V
Luminous intensity	I _f =20mA	I _v	700	1700	--	mcd
Viewing angle at 50% I _v	I _f =20mA	2θ _{1/2}	--	130	--	Deg
Reverse current	V _r =5V	I _r	--	--	10	μA
NOTE: IFP Conditions:Pulse Width≤10msec. and Duty ≤1/10.						