

# **LED Display**

Product Data Sheet

IE-1R-10305N

## FEATURES

0.30 inch (7.62mm) Digit Height  
Low Power Requirement  
High Brightness and High Contrast  
Excellent Characters Appearance  
IC Compatible , Easy Assembly  
RoHS Compliant

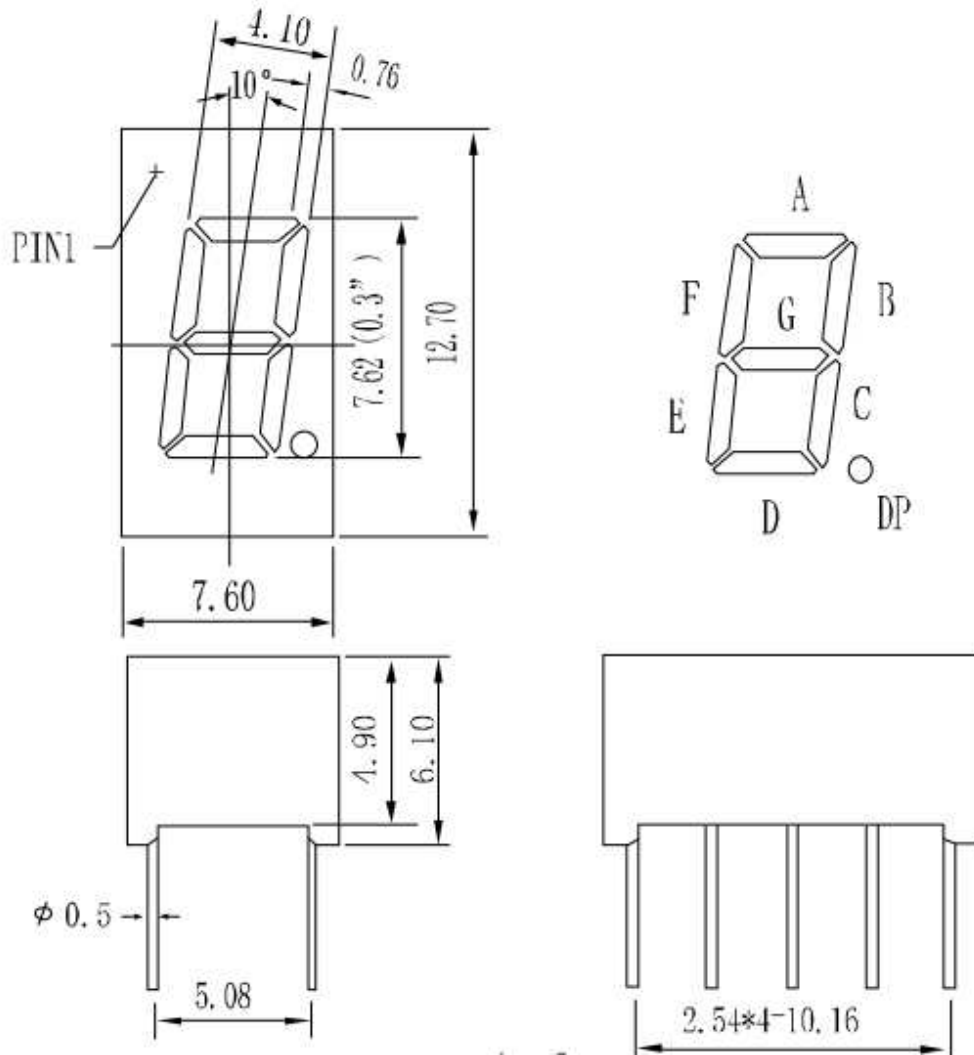
## DESCRIPTION

This is a 0.30 inch (7.62mm) digit height single digit seven segment LED display. This device utilizes red LED chips, which are made from AlGaInP, and has a black face and white segments.

## DEVICE

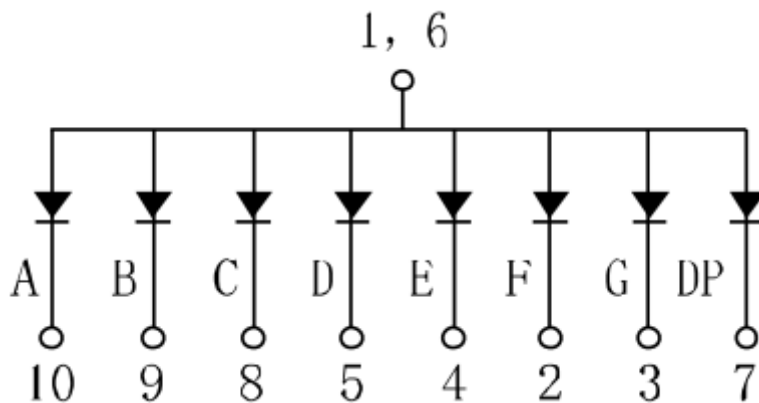
Red	Description
SM410305N	Common Anode, Right Hand Decimal
Total 8 LED Chips	

## PACKAGE DIMENSIONS



NOTES: All dimensions are in millimeters (inches). Tolerance is  $\pm 0.25$  (0.010") unless otherwise specified.

## INTERNAL CIRCUIT DIAGRAM



<b>PIN NO.</b>	<b>CONNECTION</b>
1	COMMON ANODE
2	CATHODE F
3	CATHODE G
4	CATHODE E
5	CATHODE D
6	COMMON ANODE
7	CATHODE DP
8	CATHODE C
9	CATHODE B
10	CATHODE A

PARAMETER	SYMBOL	AlGaInP RED	UNIT
Power Dissipation Per Segment	PAD	50	mw
Reverse Voltage Per Segment	VR	5	V
Continuous Forward Current Per Segment	IAF	20	mA
Peak Forward Current Per Segment(Duty-0.1,1KHz)	IPF	60	mA
Operating Temperature Range	TOPr	-20°C to 80°C	
Storage Temperature Range	Tstg	-30°C to 85°C	
Lead Soldering Temperature 260°C at 1.6mm From Body for 3 second			

PARAMETER	SYMBOL	TEST CONDITION	MIN	TYP	MAX	UNIT
Forward Voltage, Per Segment	VF	IF=20mA	1.9	2.0	2.5	V
Reverse Current, Per Segment	IR	VR=5V			50	μA
Peak Emission Wavelength	λp	IF=20mA	630	633	637	nm
Luminous Intensity Per Segment	IV	IF=20mA	23	25	28	mcd

# TYPICAL ELECTRICAL / OPTICAL CHARACTERISTIC CURVES @ TA = 25°C

