

5.0mm Round Type LED Lamps

MODEL NO: IE-5WC4ST-18-K13

★Features:

- Fluorescence Type;
- High Luminous Intensity;
- High Efficiency;

★Lens Color:

- Color Diffused Color Transparent
 Water Clear White Diffused

★Descriptions:

- The white LED which was fabricated using a blue LED and a phosphor, and the phosphor is excited by blue light and emits yellow fluorescence. The mixture of blue light and yellow light results in a white emission.

★Applications:

- OA Equipment;
- Backlighting of LCD;
- Automotive Equipment;
- Replacement of Conventional Light Bulbs and Fluorescent Lamps.

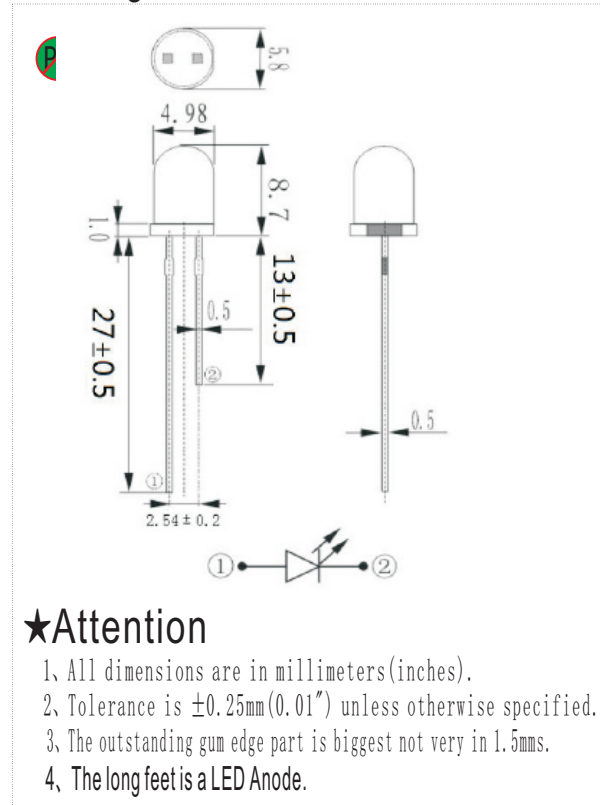
★Absolute Maximum Ratings(Ta=25°C):

Parameter	Symbol	Rating	Unit	Remarks
Forward Current	I _F	30	mA	—
Peak Forward Current	I _{FP}	100	mA	1/10 Duty Cycle
Reverse Voltage	V _R	5	V	—
Operating Temperature	T _{OPR}	-25~+85	°C	—
Storage Temperature	T _{Stg}	-40~+100	°C	—
Soldering Temperature	T _{SOl}	260	°C	<3 seconds
Power Dissipation	P _d	80	mW	—

★Electronic Optical Characteristics(Ta=25°C):

Part Number	Emitting Color	V _F (V)			I _V (mcd)		I _R (μA) V _R =5V	Chromaticity Coordinates		Viewing Angle 2θ _{1/2} (°)
		Min	Typ	Max	Typ	Max		X	Y	
IE-5WC4ST-18-K13	WHITE	2.8	3.0	3.6	5700	11000	<10	0.26-0.30	0.26-0.31	20°

★Package Dimension:



★Attention

1. All dimensions are in millimeters(inches).
2. Tolerance is ±0.25mm(0.01") unless otherwise specified.
3. The outstanding gum edge part is biggest not very in 1.5mm.
4. The long feet is a LED Anode.

★Elucidation: =Pb free Soldering Application, Pb<1000ppm(RoHS-Compliant)