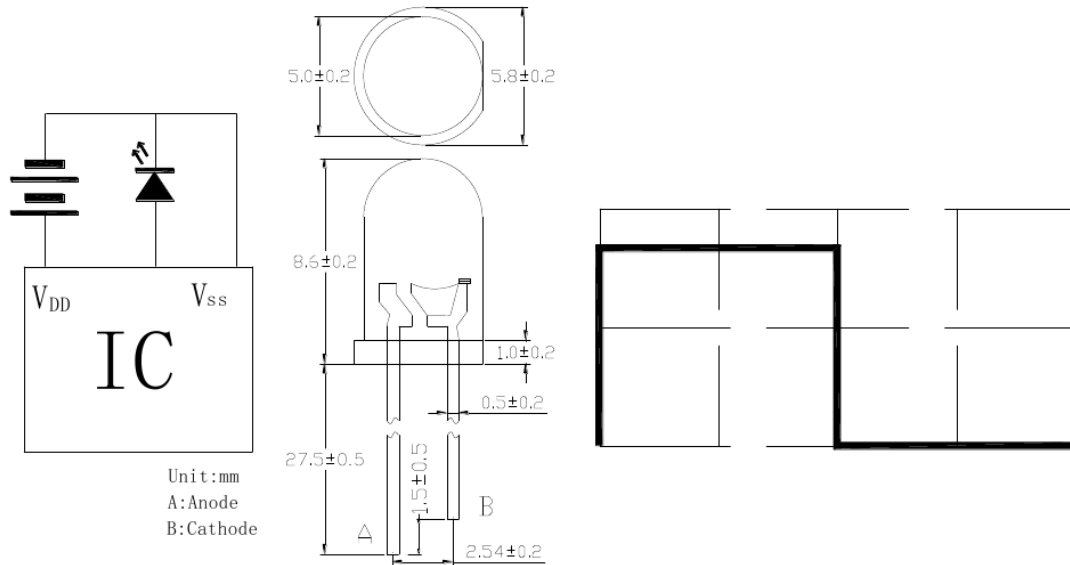


IE-5RF-C-1,5Hz

Features:

- * 5mm Lamp LED
- * Flash Color Red , 1.5HZ
- * Low Power Consumption
- * Ideal For Toy Light-Gift Indicator

Circuit and Dimensions and Pattern



Absolute Maximum Rating

Item	Symbol	Absolute Maximum Rating	Unit
Forward Current	I_F	40	mA
Peak Forward Current*	I_{FP}	120	mA
Operating Voltage	V_{DD}	4.5	V
Power Dissipation	P_D	150	mW
Flash Frequency	F_{tet}	1.5(±20%)	H _z
Operation Temperature	T_{OPR}	-25~+80	°C
Storage Temperature	T_{STG}	-5~+45	°C
Lead Soldering Temperature	T_{SOL}	Max.260°C for 5sec Max(3mm from the base of the epoxy bulb)	

Typical Optical/Electrical Characteristics

Item	Symbol	Condition	Emitting Color	Min.	Typ.	Max.	Unit
Forward Voltage	V_F	$I_F=20mA$	R	1.8	2.0	2.3	V
Luminous Intensity	I_V	$I_F=20mA$	R	1500	1800	2000	mcd
Viewing Angle	2θ1/2	$I_F=20mA$	/	/	20	/	deg
Prpc Wavelength	λ_D	$I_F=20mA$	R	620	625	630	nm