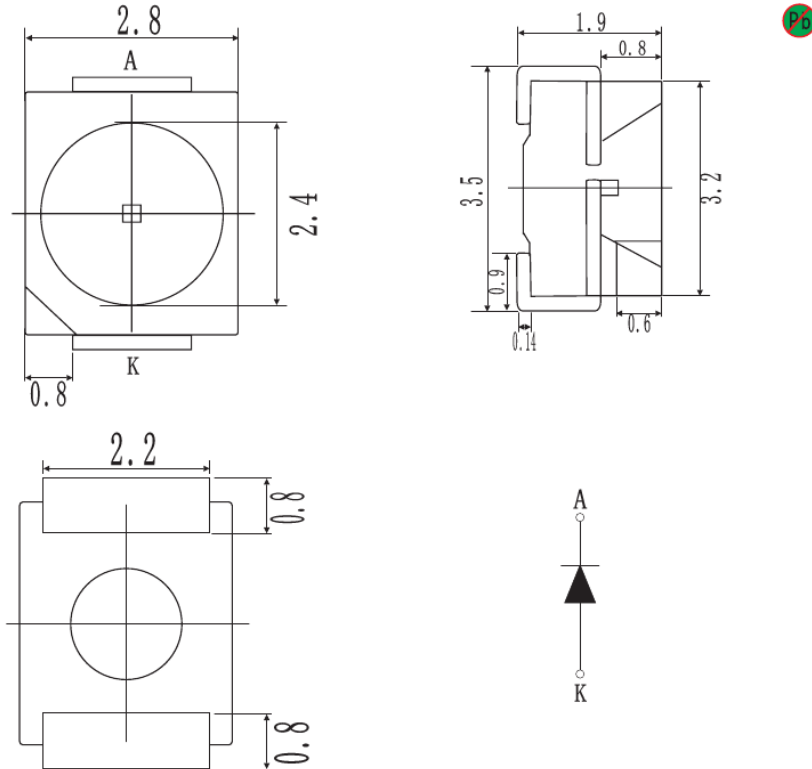


3.5*2.8*1.9mm SMD LED

MODEL NO. : IE-35UY28-37/J8

Package outlines



ITEM	MATERIALS
Resin(mold)	Silicone
Bonding Wire	φ 25μmAu
Lens color	Water transparent
Printed circuit board	PPA
Dice	—
Emitted color	Yellow

Notes:

- 1、 All dimensions are in mm.
- 2、 Tolerance is ± 0.25 mm unless otherwise noted.

3.5*2.8*1.9mm SMD LED

MODEL NO.: IE-35UY28-37/J8

Absolute maximum ratings				(T _A =25°C)		
Parameter	Symbol	Value			Unit	
		Y				
Power dissipation	Pd	60			mW	
Forward current	If	30			mA	
Reverse voltage	Vr	5			V	
Operating temperature range	Top	-40~+100			°C	
Storage temperature range	Tstg	-40~+100			°C	
Peak pulsing current	Ifp	100			mA	
Electrostatic Discharge	ESD	--			V	
Electro-optical characteristics				(T _A =25°C)		
Parameter	Test Condition	Symbol	Value			Unit
			Min.	Typ.	Max.	
Luminous Flux	If=20mA	Φ	--	3.6	--	LM
Spectral half bandwidth	If=20mA	Δλ	--	20	--	nm
Dominant wavelength	If=20mA	λ _D	588	--	598	nm
Forward voltage	If=20mA	Vf	1.8	2.1	2.6	V
Luminous intensity	If=20mA	I _v	450	700	--	mcd
Viewing angle at 50% I _v	If=20mA	2θ _{1/2}	--	120	--	Deg
Reverse current	Vr=5V	I _r	--	--	10	μA
NOTE: IFP Conditions: Pulse Width ≤ 10msec. and Duty ≤ 1/10.						