

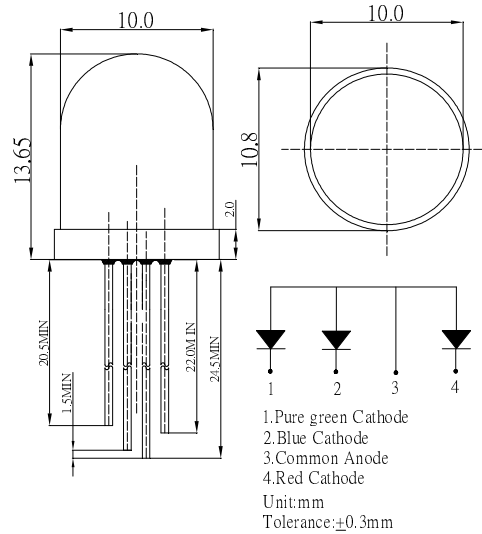
**■Features**

- High Luminous Output
- 10mm Standard Directivity
- Superior Weather-resistance
- Water Clear Type
- Common Anode Type

**■Applications**

- Toys
- Games
- Audio
- Other Lighting

**■Outline Dimension**

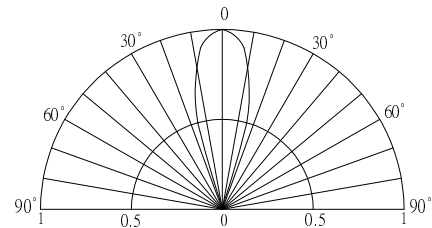


**■Absolute Maximum Rating (Ta=25°C)**

| Item                       | Symbol           | Value       |            | Unit |
|----------------------------|------------------|-------------|------------|------|
|                            |                  | Red         | Green/Blue |      |
| DC Forward Current         | I <sub>F</sub>   | 50          | 30         | mA   |
| Pulse Forward Current*     | I <sub>FP</sub>  | 120         | 100        | mA   |
| Reverse Voltage            | V <sub>R</sub>   | 5           | 5          | V    |
| Power Dissipation          | P <sub>D</sub>   | 120         | 108        | mW   |
| Operating Temperature      | T <sub>opr</sub> | -30 ~ +85   |            | °C   |
| Storage Temperature        | T <sub>stg</sub> | -40 ~ +100  |            | °C   |
| Lead Soldering Temperature | T <sub>sol</sub> | 260 °C/5sec |            | -    |

\*Pulse width Max.10ms Duty ratio max 1/10

**■Directivity**



**■Electrical -Optical Characteristics (Ta=25°C)**

| Item               | Symbol                 | Condition            | Min.  | Typ.  | Max. | Unit |
|--------------------|------------------------|----------------------|-------|-------|------|------|
| DC Forward Voltage | V <sub>F</sub> (R)     | I <sub>F</sub> =20mA | 1.8   | 2.1   | 2.4  | V    |
|                    | V <sub>F</sub> (B/G)   | I <sub>F</sub> =20mA | 2.9   | 3.1   | 3.6  | V    |
| DC Reverse Current | I <sub>R</sub>         | V <sub>R</sub> =5V   | -     | -     | 10   | μA   |
| Domi. Wavelength   | λ <sub>D</sub> (Red)   | I <sub>F</sub> =20mA | 619   | 624   | 629  | nm   |
|                    | λ <sub>D</sub> (Green) | I <sub>F</sub> =20mA | 520   | 525   | 530  | nm   |
|                    | λ <sub>D</sub> (Blue)  | I <sub>F</sub> =20mA | 465   | 470   | 475  | nm   |
| Luminous Intensity | I <sub>v</sub> (Red)   | I <sub>F</sub> =20mA | 7000  | 8500  | -    | mcd  |
|                    | I <sub>v</sub> (Green) | I <sub>F</sub> =20mA | 12000 | 14400 | -    | mcd  |
|                    | I <sub>v</sub> (Blue)  | I <sub>F</sub> =20mA | 3000  | 4000  | -    | mcd  |
| 50% Power Angle    | 2θ <sub>1/2</sub>      | I <sub>F</sub> =20mA | -     | 30    | -    | deg  |

\*1 Tolerance of dominant wavelength is ±1nm

\*2 Tolerance of luminous intensity is ±15%