

5.0mm Dome Super Flux LED Lamps

MODEL NO : **IE-765RGBDUT-C**

★Features:

- Fluorescence Type;
- High Luminous Intensity;
- High Efficiency;

★Lens Color:

- Color Diffused Color Transparent
 Water Clear White Diffused

★Descriptions:

- The white LED which was fabricated using a blue LED and a phosphor, and the phosphor is excited by blue light and emits yellow fluorescence. The mixture of blue light and yellow light results in a white emission.

★Applications:

- OA Equipment;
- Backlighting of LCD;
- Automotive Equipment;
- Replacement of Conventional Light Bulbs and Fluorescent Lamps.

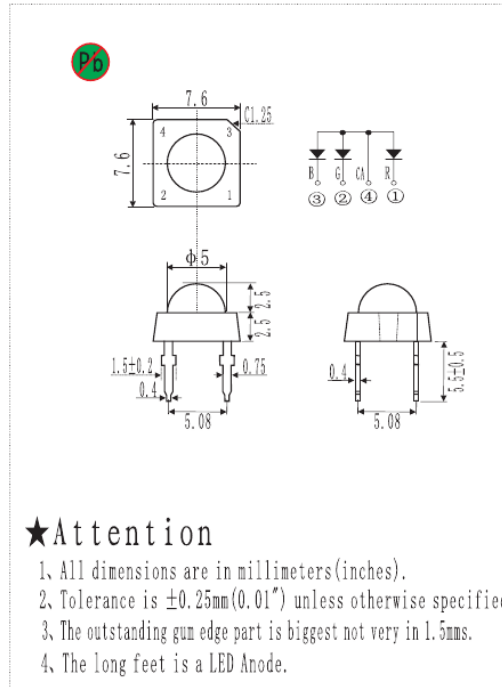
★Absolute Maximum Ratings (Ta=25°C) :

Parameter	Symbol	Rating	Unit	Remarks
Forward Current	I _F	30	mA	—
Peak Forward Current	I _{FP}	100	mA	1/10 Duty Cycle
Reverse Voltage	V _R	5	v	—
Operating Temperature	T _{OPR}	-25 ~+85	°C	—
Storage Temperature	T _{Stg}	-40 ~+100	°C	—
Soldering Temperature	T _{Sol}	260	°C	<3 seconds
Power Dissipation	P _d	100	mW	—

★Electronic Optical Characteristics (Ta=25°C) :

Part Number	Emitting Color	V _F (V) I _F =20mA			I _{V(mcd)} I _F =20mA		I _R (μA) V _R =5V	λ _d (nm)	Δλ (nm)	Viewing Angle 2θ _{1/2} (°)
		Min	Typ	Max	Typ	Max				
IE-765RGBDUT-C	Red	1.8	2.1	2.4	880	2000	<10	620-630	25	—
	Green	2.8	3.1	3.8	2600	5700		520-530	20	
	Blue	2.8	3.1	3.8	1150	2600		465-475	20	

★Package Dimension:



★Attention

1. All dimensions are in millimeters (inches).
2. Tolerance is ±0.25mm (0.01") unless otherwise specified.
3. The outstanding gun edge part is biggest not very in 1.5mm.
4. The long feet is a LED Anode.

★Elucidation: **Pb** = Pb free Soldering Application, Pb < 1000ppm (RoHS-Compliant)