

5.0mm Round Type LED Lamps

MODEL NO: IE-5Y4UC-15A

★Features:

- Low power consumption;
- High efficiency and high performance;
- Choice of various viewing angles;
- Reliable and robust.

★Lens Color:

- Color Diffused Color Transparent
 Water Clear White Diffused

★Descriptions:

- The series is specially designed for applications requiring higher brightness.
- The led lamps are available with different Colors, intensities, epoxy colors, etc.

★Applications:

- Indicators Home electric appliance
 Automotive Sign & Signal.

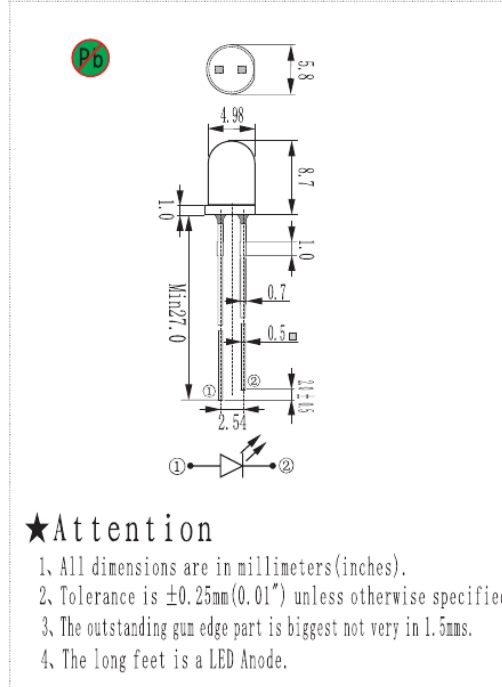
★Absolute Maximum Ratings (Ta=25°C):

Parameter	Symbol	Rating	Unit	Remark
Forward Current	I _F	30	mA	—
Peak Forward Current	I _{FP}	100	mA	1/10 Duty Cycle
Reverse Voltage	V _R	5	V	—
Operating Temperature	T _{OPR}	-25 ~ +85	°C	—
Storage Temperature	T _{Stg}	-40 ~ +100	°C	—
Soldering Temperature	T _{SOL}	260	°C	≤3 seconds
Power Dissipation	P _d	60	mW	—

★Electronic Optical Characteristics (Ta=25°C):

Part Number	Emitting Color	V _F (V)			I _{V(mcd)}		I _r (μA) VR=5V	λ _d (nm)	Δλ (nm)	Viewing Angle 2θ _{1/2} (°)
		I _F =20mA			I _F =20mA					
		Min	Typ	Max	Typ	Max				
IE-5Y4UC-15A	YELLOW	1.65	2.0	2.6	9500	15000	<10	584-594	20	15°

★Package Dimension:



★Attention

1. All dimensions are in millimeters (inches).
2. Tolerance is ±0.25mm (0.01") unless otherwise specified.
3. The outstanding gun edge part is biggest not very in 1.5mm.
4. The long feet is a LED Anode.

★Elucidation: **Pb** = Pb free Soldering Application, Pb < 1000ppm (RoHS-Compliant)