

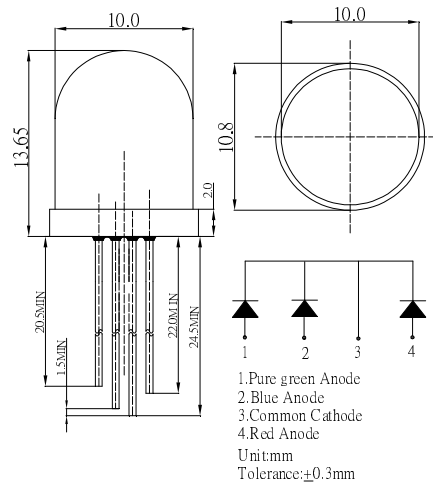
■Features

- High Luminous Output
- 10mm Standard Directivity
- Superior Weather-resistance
- White Diffused Type
- Common Cathode Type

■Applications

- Toys
- Games
- Audio
- Other Lighting

■Outline Dimension

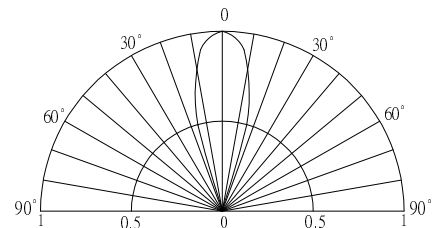


■Absolute Maximum Rating (Ta=25°C)

| Item | Symbol | Value | | Unit |
|----------------------------|------------------|------------|------------|------|
| | | Red | Green/Blue | |
| DC Forward Current | I _F | 50 | 30 | mA |
| Pulse Forward Current* | I _{FP} | 120 | 100 | mA |
| Reverse Voltage | V _R | 5 | 5 | V |
| Power Dissipation | P _D | 120 | 108 | mW |
| Operating Temperature | T _{opr} | -30 ~ +85 | | °C |
| Storage Temperature | T _{stg} | -40 ~ +100 | | °C |
| Lead Soldering Temperature | T _{sol} | 260°C/5sec | | - |

*Pulse width Max.10ms Duty ratio max 1/10

■Directivity



■Electrical -Optical Characteristics (Ta=25°C)

| Item | Symbol | Condition | Min. | Typ. | Max. | Unit |
|--------------------|------------------------|----------------------|------|------|------|------|
| DC Forward Voltage | V _F (R) | I _F =20mA | 1.8 | 2.1 | 2.4 | V |
| | V _F (B/G) | I _F =20mA | 2.9 | 3.1 | 3.6 | V |
| DC Reverse Current | I _R | V _R =5V | - | - | 10 | μA |
| Domi. Wavelength | λ _D (Red) | I _F =20mA | 619 | 624 | 629 | nm |
| | λ _D (Green) | I _F =20mA | 520 | 525 | 530 | nm |
| | λ _D (Blue) | I _F =20mA | 465 | 470 | 475 | nm |
| Luminous Intensity | I _v (Red) | I _F =20mA | 3000 | 4200 | - | mcd |
| | I _v (Green) | I _F =20mA | 5800 | 7000 | - | mcd |
| | I _v (Blue) | I _F =20mA | 1560 | 2180 | - | mcd |
| 50% Power Angle | 2θ _{1/2} | I _F =20mA | - | 30 | - | deg |

*1 Tolerance of dominant wavelength is ±1nm

*2 Tolerance of luminous intensity is ±15%