

## 5.0mm Round Type LED Lamps

MODEL NO: **IE-5Y4UT-15A**

### ★Features:

- Low power consumption;
- High efficiency and high performance;
- Choice of various viewing angles;
- Reliable and robust.

### ★Lens Color:

- Color Diffused       Color Transparent  
 Water Clear       White Diffused

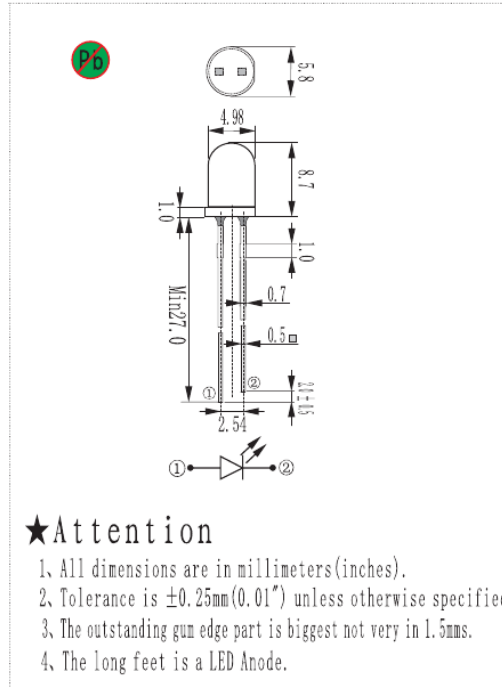
### ★Descriptions:

- The series is specially designed for applications requiring higher brightness.
- The led lamps are available with different Colors, intensities, epoxy colors, etc.

### ★Applications:

- Indicators       Home electric appliance  
 Automotive       Sign & Signal.

### ★Package Dimension:



### ★Attention

1. All dimensions are in millimeters (inches).
2. Tolerance is  $\pm 0.25\text{mm}$  (0.01") unless otherwise specified.
3. The outstanding gun edge part is biggest not very in 1.5mm.
4. The long feet is a LED Anode.

### ★Absolute Maximum Ratings (Ta=25°C):

Parameter	Symbol	Rating	Unit	Remark
Forward Current	$I_F$	30	mA	—
Peak Forward Current	$I_{FP}$	100	mA	1/10 Duty Cycle
Reverse Voltage	$V_R$	5	V	—
Operating Temperature	$T_{OPR}$	-25 ~ +85	°C	—
Storage Temperature	$T_{Stg}$	-40 ~ +100	°C	—
Soldering Temperature	$T_{Sol}$	260	°C	≤ 3 seconds
Power Dissipation	$P_d$	60	mW	—

### ★Electronic Optical Characteristics (Ta=25°C):

Part Number	Emitting Color	$V_F$ (V)			$I_V$ (mcd)		$I_R$ ( $\mu$ A)	$\lambda_d$ (nm)	$\Delta \lambda$ (nm)	Viewing Angle 2 $\theta_{1/2}$ (°)
		$I_F=20\text{mA}$			$I_F=20\text{mA}$					
		Min	Typ	Max	Typ	Max	$V_R=5\text{V}$			
IE-5Y4UT-15A	YELLOW	1.65	2.0	2.6	9000	25000	<10	587-594	20	15°

★Elucidation: =Pb free Soldering Application, Pb<1000ppm (RoHS-Compliant)