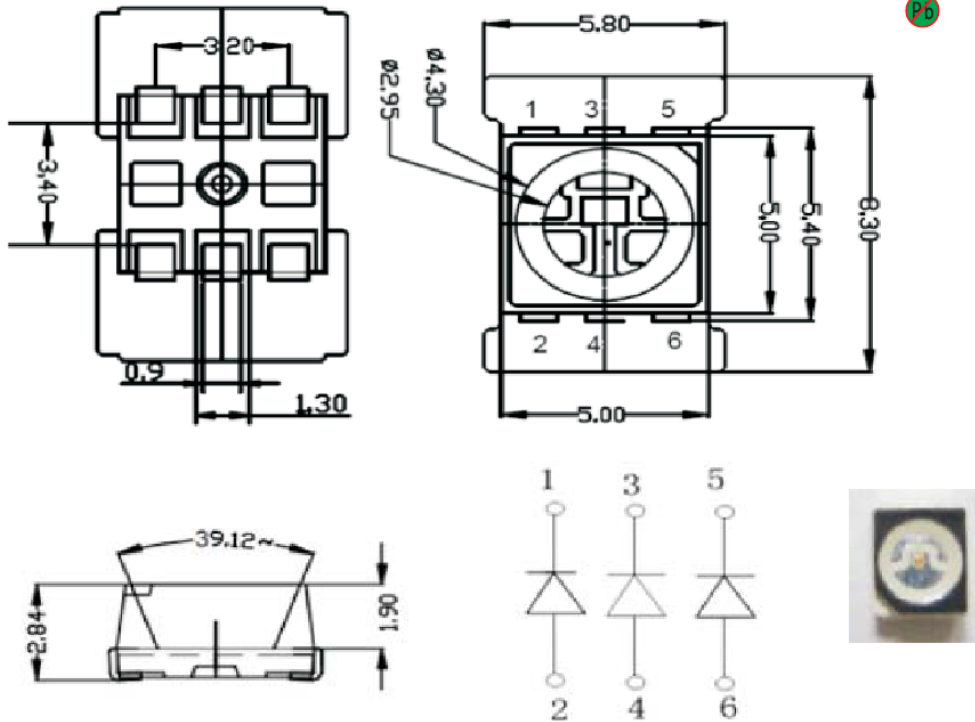


5.0*5.0*1.6mm SMD LED (SMD5050)

MODEL NO.: IE-5050Y-HB-C

Package outlines



ITEM	MATERIALS
Resin(mold)	Silicone
Bonding Wire	φ21μm Au
Lens color	Water Clear
Printed circuit board	PPA Cu
Emitted color	Yellow
Face color	Black

Notes:

- 1、 All dimensions are in mm.
- 2、 Tolerance is ±0.25 mm unless otherwise noted.

5.0*5.0*1.6mm SMD LED (SMD5050)

 MODEL NO.: IE-5050Y-HB-C

Absolute maximum ratings				(T _A =25°C)		
Parameter	Symbol	Value			Unit	
		Yellow				
Power dissipation	P _d	60			mW	
Forward current	I _f	30			mA	
Reverse voltage	V _r	5			V	
Operating temperature range	T _{op}	-40~+100			°C	
Storage temperature range	T _{stg}	-40~+100			°C	
Peak pulsing current	I _{fp}	100			mA	
Electrostatic Discharge	ESD	1000			V	
Electro-optical characteristics				(T _A =25°C)		
Parameter	Test Condition	Symbol	Value			Unit
			Min.	Typ.	Max.	
Wavelength at peak emission	I _f =20mA	λ _{peak}	--	--	--	nm
Spectral half bandwidth	I _f =20mA	Δλ	--	20	--	nm
Dominant wavelength	I _f =20mA	λ _D	586	591	595	nm
Forward voltage	I _f =20mA	V _f	1.6	2.1	2.6	V
Luminous intensity	I _f =20mA	I _v	650	950	1800	mcd
Viewing angle at 50% I _v	I _f =20mA	2θ _{1/2}	--	120	--	Deg
Reverse current	V _r =5V	I _r	--	--	10	μA
NOTE: IFP Conditions: Pulse Width ≤ 10msec. and Duty ≤ 1/10.						