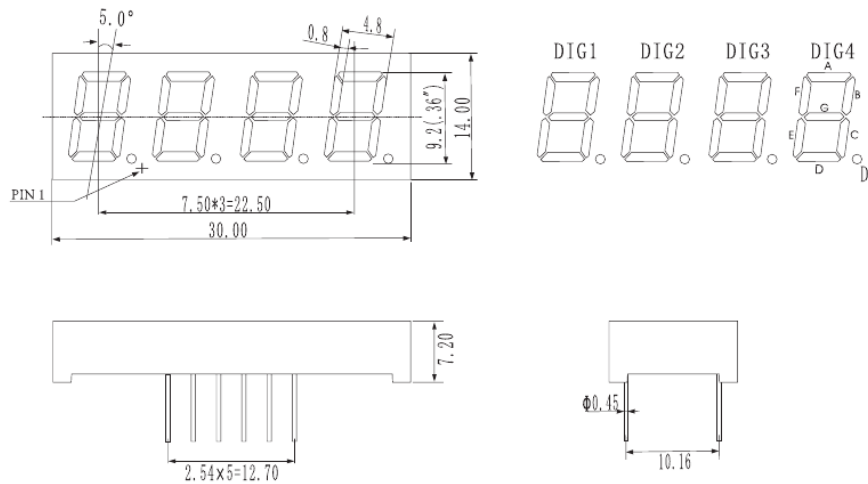


# 0.36" 4-Digit LED Display

Model NO. : IE-4PG-10361NC

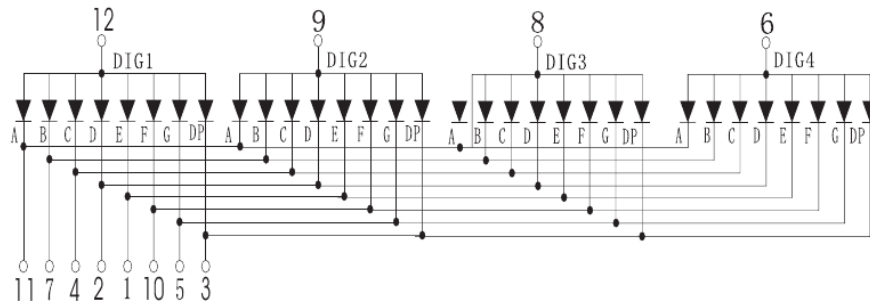
Chip (Ta=±25℃)		PIN	Drive Mode	Face
Quantity	Emitting color	10.28mm	Common Anode	
32ea	Pure Green			

■ Package Outlines (unit:mm)



- Notes:
1. All dimensions are in millimeters (inches).
  2. Tolerances is ±0.25 (0.01") unless otherwise noted.

■ Internal Circuit:



## 0.36" 4-Digit LED Display

Model NO. : IE-4PG-10361NC

### ■ Absolute Maximum Ratings (Ta=+25°C)

Characteristics	Symbol	Rating	Unit	Remarks
Forward current / segment	$I_F$	30	mA	—
Peak forward current / segment	$I_{F(Peak)}$	100	mA	1/10 Duty Cycle
Reverse Voltage / segment	$V_R$	5	V	—
Operating Temperature	$T_{Opr}$	-25~+80	°C	—
Storage Temperature	$T_{Stg}$	-40~+85	°C	—
Solder Temperature	$T_{Sol}$	260	°C	<5 seconds
Power Dissipation / segment	$P_d$	80	mw	—

### ■ Electro-Optical Characteristics (Ta=25°C):

Parameter	Symbol	Test condition	Min.	Typ.	Max.	Unit
Forward Voltage/segment	$V_F$	$I_F=20mA$	2.6	3.0	3.6	V
Dominant Wavelength	$\lambda_d$	$I_F=20mA$	515	520	525	nm
Spectrum width (Half value)	$\Delta \lambda$	$I_F=20mA$	—	20	—	nm
Luminous Intensity/segment	$I_V$	$I_F=20mA$	—	120	—	mcd
Reverse current/segment	$I_R$	$V_R=5V$	—	—	10	$\mu A$