

# PRODUCT SPECIFICATIONS

Module No.: IE-TFT-0434827-400-RTP-12-A-2

Date : 2020-07-19

## *Table of Contents*

No.	Item	Page
1	Cover Sheet(Table of Contents)	
2	Revision Record	
3	General Specifications	
4	Outline Drawing	
5	Absolute Maximum Ratings	
6	Electrical Specifications	
7	Optical Characteristics	
8	Reliability Test Items and Criteria	
9	Precautions for Use of LCD Modules	



### 3. General Specifications

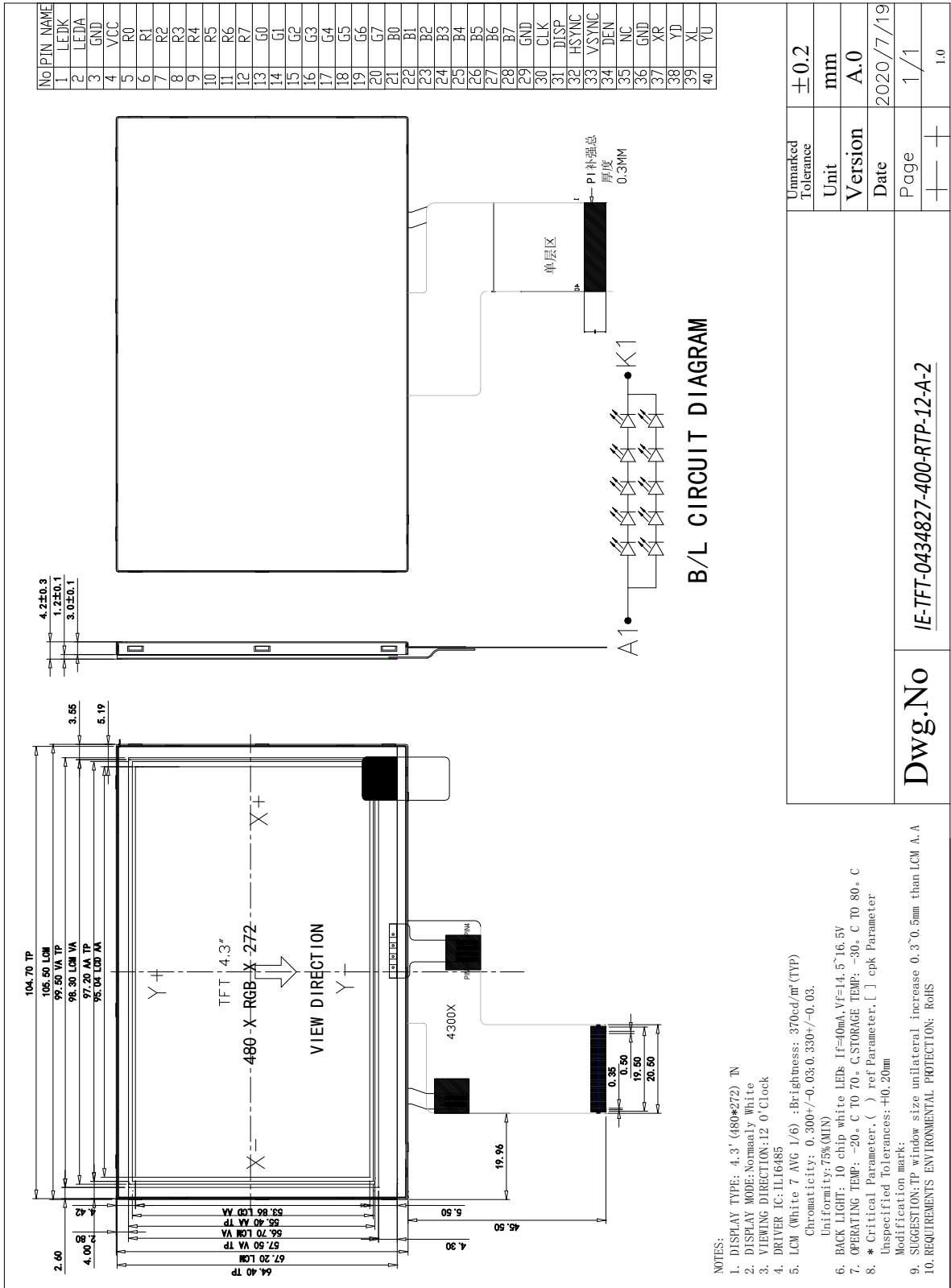
IE-TFT-0434827-400-RTP-12-A-2 is a TFT-LCD module. It is composed of a TFT-LCD panel, driver IC, FPC, a back light ,TP unit. The 4.3 "display area contains 480 x 272pixels and can display up to 16.7M colors. This product accords with RoHS environmental criterion.

Item	Contents	Unit	Note
LCD Type	TFT	-	
Display color	16.7M		
Viewing Direction	12	O'Clock	
Operating temperature	-20~+70	°C	
Storage temperature	-30~+80	°C	
Module size	Refer to outline drawing	mm	
Active Area(W×H)	95.04X53.86	mm	
Number of Dots	480×272	dots	
Controller	ILI6485	-	
Power Supply Voltage	3.3	V	
Outline Dimensions	Refer to outline drawing	-	
Backlight	10-LEDs (white)	pcs	
Weight	---	g	
Interface	RGB888	-	

Note 1: Color tune is slightly changed by temperature and driving voltage.

Note 2: Without FPC and Solder.

# 4.Outline.Drawing



## 5. Absolute Maximum Ratings( $T_a=25^\circ\text{C}$ )

### 5.1 Electrical Absolute Maximum Ratings.( $V_{SS}=0\text{V}$ , $T_a=25^\circ\text{C}$ )

Item	Symbol	Min.	Max.	Unit	Note
Power Supply Voltage	VDD	-0.3	4.0	V	1, 2

Notes:

1. If the module is above these absolute maximum ratings. It may become permanently damaged. Using the module within the following electrical characteristic conditions are also exceeded, the module will malfunction and cause poor reliability.
2.  $V_{DD} > V_{SS}$  must be maintained.
3. Please be sure users are grounded when handing LCD Module.

### 5.2 Environmental Absolute Maximum Ratings.

Item	Storage		Operating		Note
	MIN.	MAX.	MIN.	MAX.	
Ambient Temperature	$-30^\circ\text{C}$	$80^\circ\text{C}$	$-20^\circ\text{C}$	$70^\circ\text{C}$	1,2
Humidity	-	-	-	-	3

1. The response time will become lower when operated at low temperature.
2. Background color changes slightly depending on ambient temperature.  
*The phenomenon is reversible.*
3.  $T_a < 40^\circ\text{C}$ : 85%RH MAX.

$T_a > 40^\circ\text{C}$ : Absolute humidity must be lower than the humidity of 85%RH at  $40^\circ\text{C}$ .

## 6. Electrical Specifications and Instruction Code

### 6.1 Electrical characteristics ( $V_{SS}=0V, T_a=25^\circ C$ )

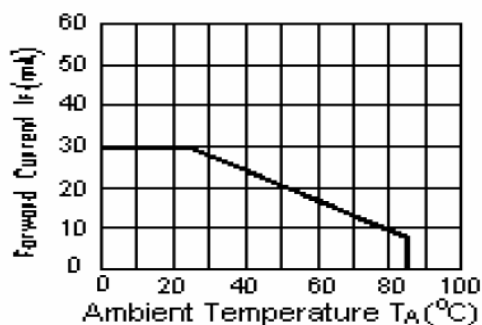
Parameter	Symbol	Condition	Min	Typ	Max	Unit	Note
Power supply	VDD	$T_a=25^\circ C$	3.0	3.3	3.6	V	
Input voltage	'H'	$V_{DD}=3.3V$	$0.7V_{DD}$	-	$V_{DD}$	V	
	'L'	$V_{DD}=3.3V$	0	-	$0.3V_{DD}$	V	
Current Consumption	$I_{DD1}$	Normal mode	-	-	-	mA	1
	$I_{DD2}$	Sleep mode	-	-	-	$\mu A$	1

Note:

1: Tested in 1×1 chessboard pattern.

### 6.2 LED backlight specification ( $V_{SS}=0V, T_a=25^\circ C$ )

Item	Symbol	Condition	Min	Typ	Max	Unit	Note
Supply voltage	$V_f$	$I_f=40mA$	14.5	-	16.5	V	
Uniformity	$\Delta B_p$	$I_f=40mA$	75			%	
Life Time	time	$I_f=40mA$	30k	-		hours	



### 6.3 Interface signals

Pin No.	Symbol	I/O	Function
1	LEDK	P	LED back light(Cathode)
2	LEDA	P	LED back light(Anode)
3	GND	P	Ground.
4	VDD	P	Power supply
5-12	R0~R7	I	Red data bus
13-20	G0~G7	I	Green data bus
21-28	B0~B7	I	Blue data bus
29	GND	P	Ground.
30	CLK	I	Data clock
31	DISP	I	L:Standby mode ;H:Normal display mode
32	HSYNC	I	Line sync signal
33	VSYNC	I	Frame sync signal
34	DE	I	Data enable pin
35	NC	-	No connection.
36	GND	P	Ground.
37	XR	I	TP connection(No connection).
38	YD	I	
39	XL	I	
40	YU	I	

## 6.4 RGB Input Timing Table

### 6.4.1 Parallel 24-bit RGB Timing Tabel

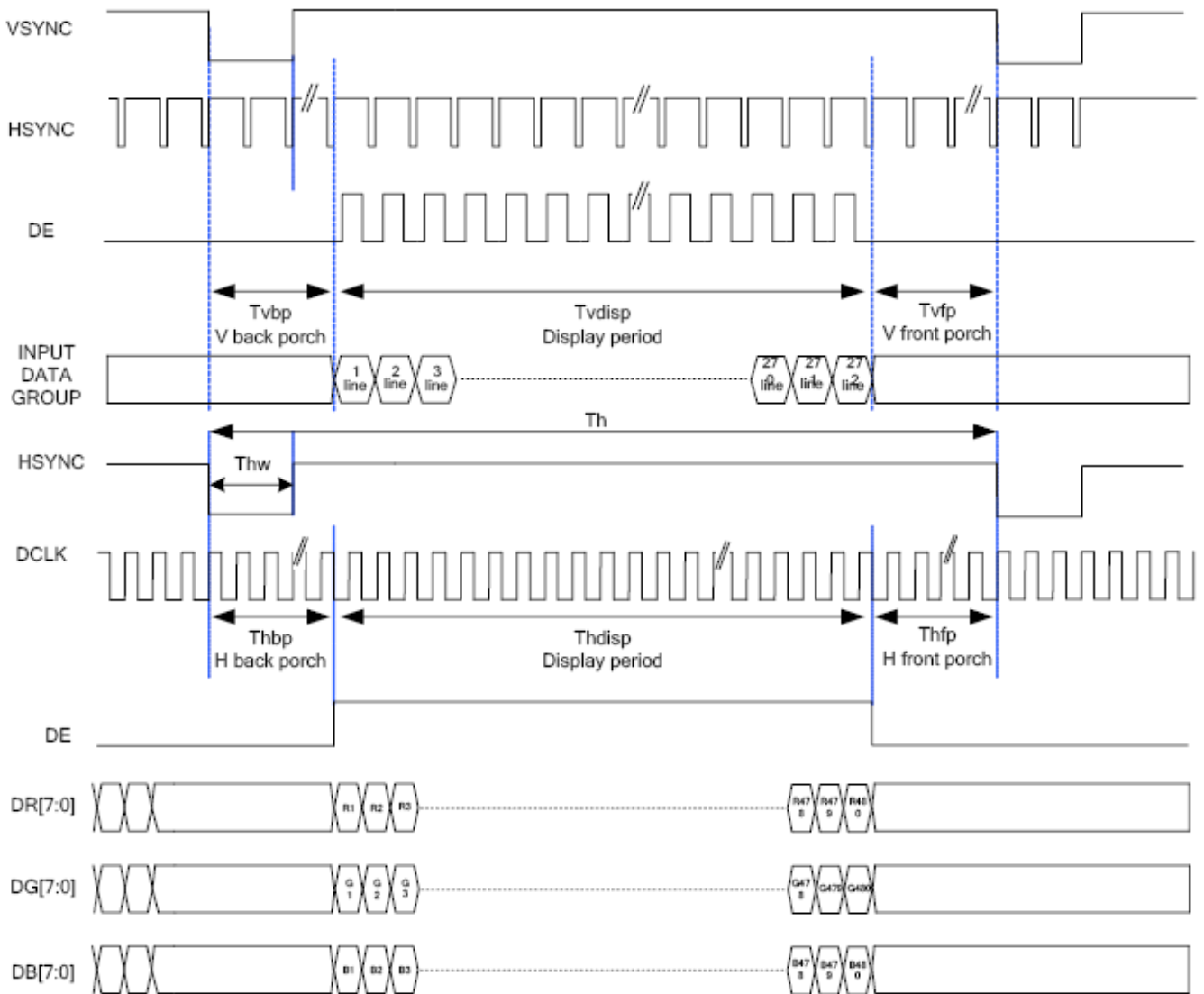
480RGB X 272 Resolution Timing Table							
Item	Symbol	Min.	Typ.	Max.	Unit	Remark	
DCLK Frequency	Fclk	8	9	12	MHz		
DCLK Period	Tclk	125	111	83	ns		
HSYNC	Period Time	Th	487	531	598	DCLK	
	Display Period	Thdisp	-	480	-	DCLK	
	Back Porch	Thbp	3	43	43	DCLK	By H_Blanking setting
	Front Porch	Thfp	4	8	75	DCLK	
	Pulse Width	Thw	2	4	75	DCLK	
VSYNC	Period Time	Tv	276	292	321	H	
	Display Period	Tvdisp	-	272	-	H	
	Back Porch	Tvbp	2	12	12	H	By V_Blanking setting
	Front Porch	Tvfp	2	8	37	H	
	Pulse Width	Tvw	2	4	37	H	

Note: 1.It is necessary to keep Tvbp =12 and Thbp =43 in sync mode. DE mode is unnecessary to keep it.

2.Thbp+Thfp >=7



### 6.4.2 SYNC-DE Mode Timing Diagram



## 7. Optical Characteristics

Item	Symbol	Condition	Min.	Typ.	Max.	Unit	Note
Brightness	Bp	$\theta=0^\circ$ $\Phi=0^\circ$	-	370	-	Cd/m <sup>2</sup>	1
Uniformity	$\Delta Bp$		75	-	-	%	1,2
Viewing Angle	3:00	Cr $\geq$ 10	-	70	-	Deg	3
	6:00		-	50	-		
	9:00		-	70	-		
	12:00		-	70	-		
Contrast Ratio	Cr	$\theta=0^\circ$ $\Phi=0^\circ$	300	800	-	-	4
Response Time	T <sub>r</sub> +T <sub>f</sub>		-	30	40	ms	5
Color of CIE Coordinate	W	x	-0.03	0.300	+0.03	-	
		y		0.330		-	
	R	x		0.618		-	
		y		0.343		-	
	G	x		0.306		-	
		y		0.527		-	
	B	x		0.139		-	
		y		0.098		-	
NTSC Ratio	S	-	-	52	%		

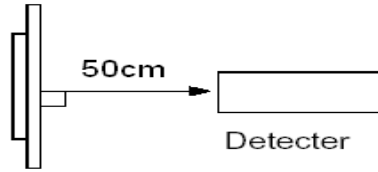
Note: The parameter is slightly changed by temperature, driving voltage and materiel

Note 1: The data are measured after LEDs are turned on for 5 minutes. LCM displays full white. The brightness is the average value of 9 measured spots. Measurement equipment PR-705 ( $\Phi$ 8mm)

Measuring condition:

- Measuring surroundings: Dark room.
- Measuring temperature: T<sub>a</sub>=25 °C.
- Adjust operating voltage to get optimum contrast at the center of the display.

Measured value at the center point of LCD panel after more than 5 minutes while backlight turning on.

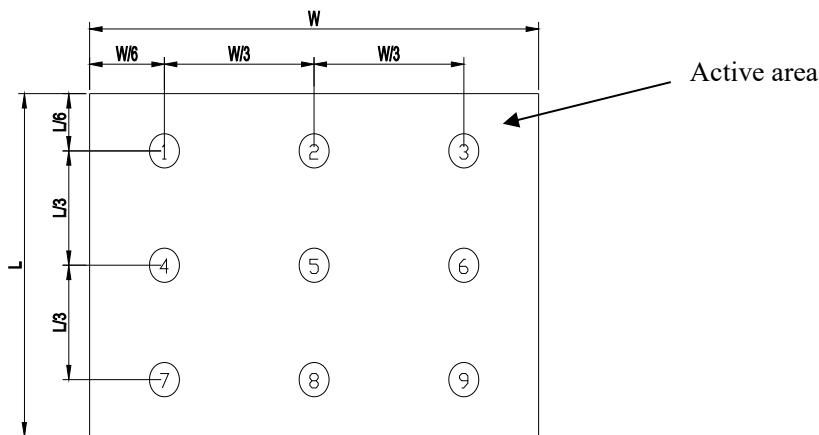


Note 2: The luminance uniformity is calculated by using following formula.

$$\Delta Bp = Bp (\text{Min.}) / Bp (\text{Max.}) \times 100 (\%)$$

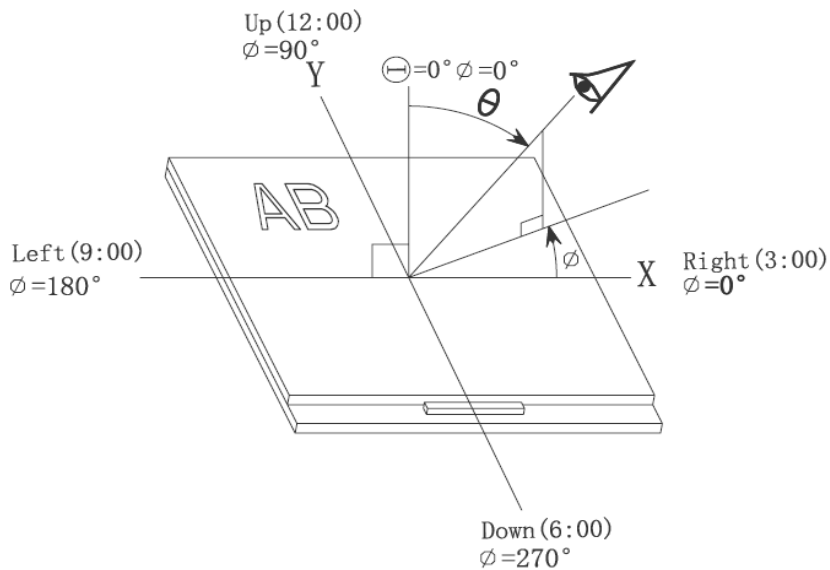
$Bp (\text{Max.})$  = Maximum brightness in 9 measured spots

$Bp (\text{Min.})$  = Minimum brightness in 9 measured spots.

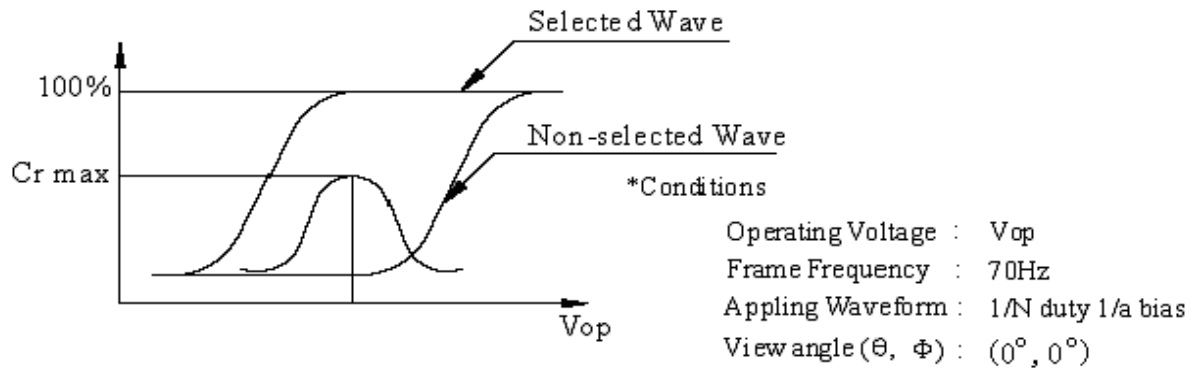


Note 3: The definition of viewing angle:

Refer to the graph below marked by  $\vartheta$  and  $\phi$



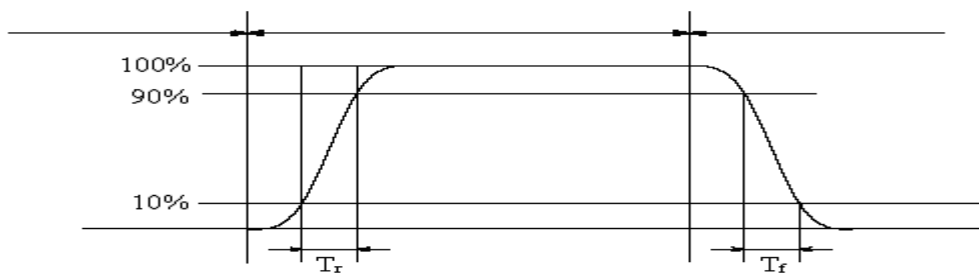
Note 4: Definition of contrast ratio.( Test LCD using DMS501)



$$\text{Contrast ratio}(Cr) = \frac{\text{Brightness of selected dots}}{\text{Brightness of non-selected dots}}$$

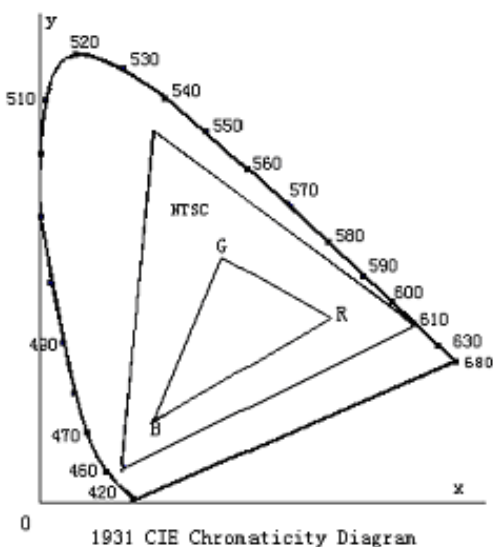
Note 5: Definition of Response time. (Test LCD using DMS501):

The output signals of photo detector are measured when the input signals are changed from "black" to "white"(falling time) and from "white" to "black"(rising time), respectively. The response time is defined as the time interval between the 10% and 90% of amplitudes. Refer to figure as below.



The definition of response time

Note 6: Definition of Color of CIE Coordinate and NTSC Ratio.

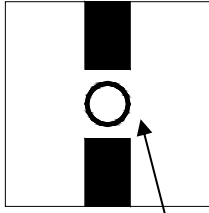


Color gamut:

$$S = \frac{\text{area of RGB triangle}}{\text{area of NTSC triangle}} \times 100\%$$

Note 7: Definition of cross talk.

$$\text{Cross talk ratio}(\%) = \frac{|\text{pattern A Brightness} - \text{pattern B Brightness}|}{\text{pattern A Brightness}} \times 100$$



Pattern A

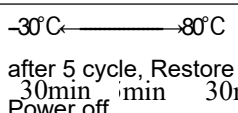


Pattern B

*Measurement point(center)*

*Electric volume value=3F+/-3Hex*

## 8. Reliability Test Items and Criteria

No	Test Item	Test condition	Criterion
1	High Temperature Storage	80°C±2°C 96H Restore 2H at 25°C Power off	1. After testing, cosmetic and electrical defects should not happen. 2. Total current consumption should not be more than twice of initial value.
2	Low Temperature Storage	-30°C±2°C 96H Restore 2H at 25°C Power off	
3	High Temperature Operation	70°C±2°C 96H Restore 2H at 25°C Power on	
4	Low Temperature Operation	-20°C±2°C 96H Restore 4H at 25°C Power on	
5	High Temperature/Humidity Storage	40°C±2°C 90%RH 96H Power off	
6	Temperature Cycle	-30°C  80°C after 5 cycle, Restore 2H at 25°C 30min 30min Power off	
7	Vibration Test	10Hz~150Hz, 100m/s <sup>2</sup> , 120min	Not allowed cosmetic and electrical defects.
8	Shock Test	Half- sine wave, 300m/s <sup>2</sup> , 11ms	

Note: Operation: Supply 3.3V for logic system.

---

## **9. Precautions for Use of LCD Modules**

### **9.1 Handling Precautions**

9.1.1 *The display panel is made of glass. Do not subject it to a mechanical shock by dropping it from a high place, etc.*

9.1.2 *If the display panel is damaged and the liquid crystal substance inside it leaks out, be sure not to get any in your mouth, if the substance comes into contact with your skin or clothes, promptly wash it off using soap and water.*

9.1.3 *Do not apply excessive force to the display surface or the adjoining areas since this may cause the color tone to vary.*

9.1.4 *The polarizer covering the display surface of the LCD module is soft and easily scratched. Handle this polarizer carefully.*

9.1.5 *If the display surface is contaminated, breathe on the surface and gently wipe it with a soft dry cloth. If still not completely clear, moisten cloth with one of the following solvents:*

— Isopropyl alcohol      — Ethyl alcohol

*Solvents other than those mentioned above may damage the polarizer. Especially, do not use the following:*

— Water                              — Ketone                              — Aromatic solvents

9.1.6 *Do not attempt to disassemble the LCD Module.*

9.1.7 *If the logic circuit power is off, do not apply the input signals.*

9.1.8 *To prevent destruction of the elements by static electricity, be careful to maintain an optimum work environment.*

*a. Be sure to ground the body when handling the LCD Modules.*

*b. Tools required for assembly, such as soldering irons, must be properly ground.*

*c. To reduce the amount of static electricity generated, do not conduct assembly and other work under dry conditions.*

*d. The LCD Module is coated with a film to protect the display surface. Be care when peeling off this protective film since static electricity may be generated.*

---

## **9.2 Storage precautions**

9.2.1 When storing the LCD modules, avoid exposure to direct sunlight or to the light of fluorescent lamps.

9.2.2 The LCD modules should be stored under the storage temperature range. If the LCD modules will be stored for a long time, the recommend condition is:

Temperature :         $0^{\circ}\text{C} \sim 40^{\circ}\text{C}$

Relatively humidity:  $\leq 80\%$

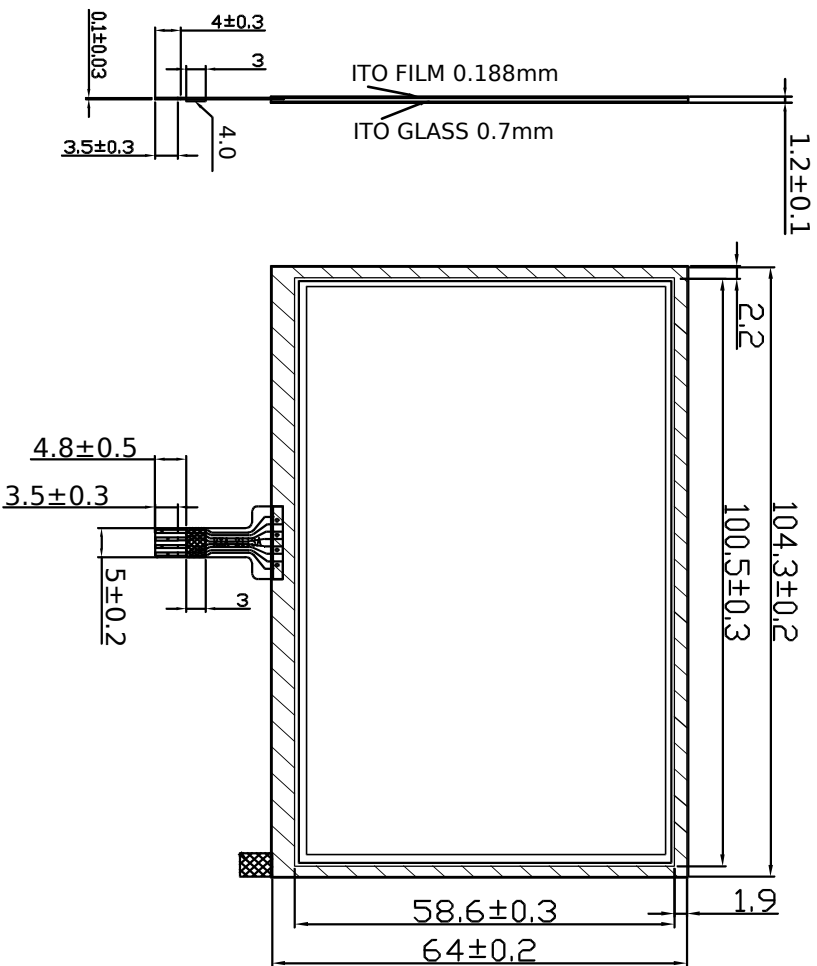
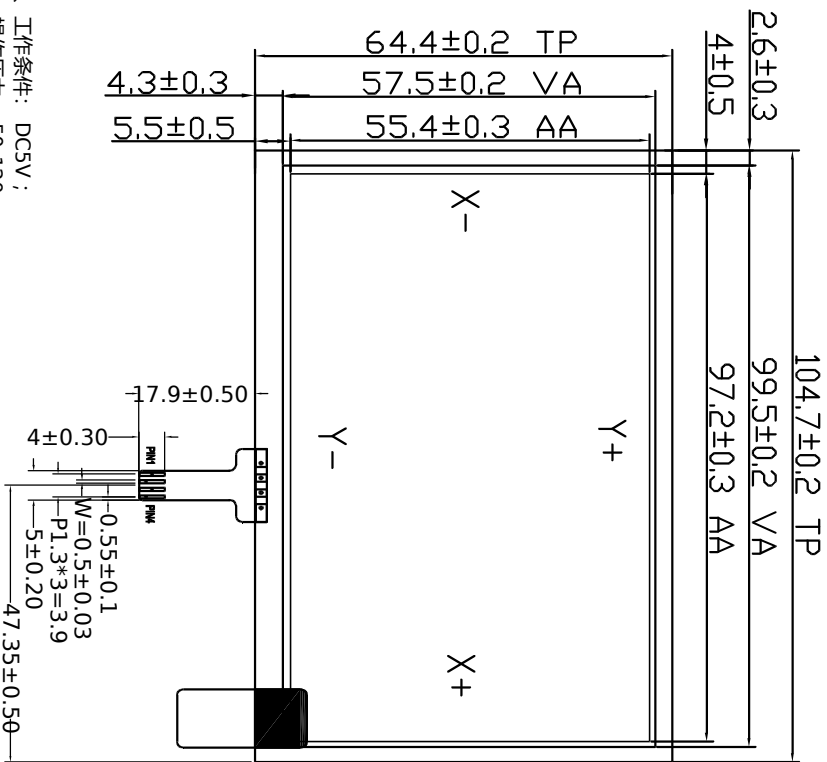
9.2.3 The LCD modules should be stored in the room without acid, alkali and harmful gas.

**9.3 The LCD modules should be no falling and violent shocking during transportation, and also should avoid excessive press, water, damp and sunshine.**

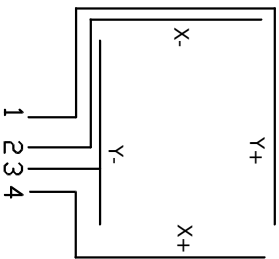
**END**



REV.	DESCRIPTION	DATE



- 1、工作条件: DC5V;
- 2、操作压力: 50-120g;
- 3、线性度  $\leq \pm 1.5\%$ ; 绝缘阻抗  $> 20M\Omega$ , 25V(DC);
- 4、工作环境:  $-10^{\circ}\text{C} \sim +60^{\circ}\text{C}$ ;
- 5、储存环境:  $-20^{\circ}\text{C} \sim +70^{\circ}\text{C}$ ;
- 6、透光率:  $> 75\%$ ;
- 7、结构类型: PETT 薄膜 [单层膜] 玻璃型 (F/G);
- 8、产品总厚度: 触摸屏 1.2mm  $\pm 0.1$ mm
- 9、出线方式: FPC 出线;
- 10、ITO Film: 雾面防牛刮刮花。  
Glass: 500G/口(0.7mm)  
tail: FPC (pitch=1.3mm)
- 11、使用寿命: 1,000,000 次;
- 12、X: 400-1000QY; 100-400Q.
- 13、响应时间:  $< 20\text{ms}$ 。
- 14、未注明公差:  $\pm 0.2$ ; 控制尺寸:



SCALE: 1:1		MODEL NUMBER:	
NOT TO SCALE			
PAGE: 1 OF 2			
GENERAL TOL.	UNITS		
0.20mm	MM		
APPROVALS	DATE		
APP Mychan	2013-03-09		
CHK Amoril	2019-03-09		
DWN Amoril	2019-03-09		
		CUSTOMER P/N:	
		DATE:	
		2019-03-09	
		PROJECTION	