

Specification for Approval

(Customer Name): _____

(Product ID): **IE-5WB4-Y-T-1,5Hz** _____

(Product Model): _____

(Product Specifications): **5mm Blue Candle Flickering LED** _____

(Date): _____

(Customer acknowledges that)

(Peng Yuan Optoelectronics)

Approved

Audit

Confirm

Business

Engineering

Make

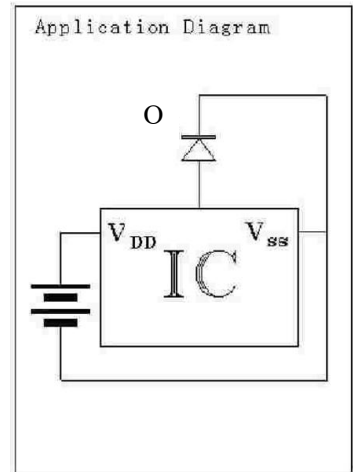
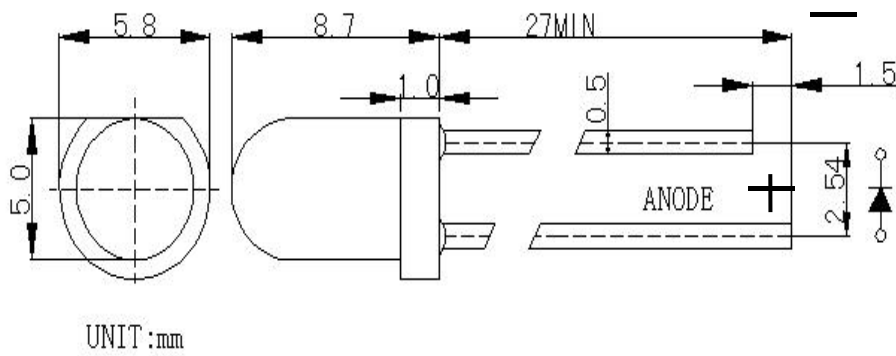
(Customer acknowledges that): Qualified

Failure

(Customer feedback):

Product Model:

Dimensions: Unit: mm [inch]



(Notes:)

1. All dimension units are millimeters.
2. All dimension tolerance is $\pm 0.05\text{mm}$ unless otherwise noted.
3. An epoxy meniscus may extend about 1.5mm down the leads

LED Chip (LED 芯片)		Flash Frequency	Lens Color
Material	Emitting Color	(HKZ)	
InGaN	Blue	1.5	Water Clear

Product Mode I:

Absolute Maximum Ratings at (Ta = 25°C)

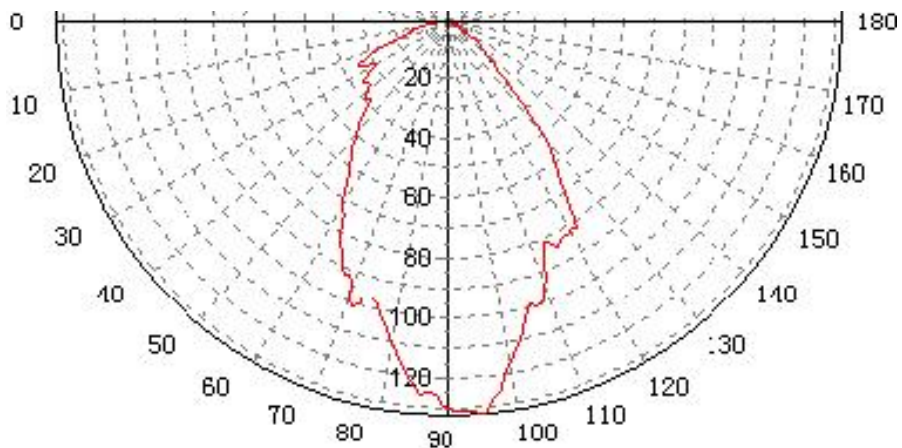
ITEMS	SYMBOL	ABSOLUTE MAXIMUM RATING	UNIT
Forward Current	IF	50	mA
Peak Forward Current	IFP	220	mA
Continuous Forward Current	IL	20	mA
Reverse Voltage	VR	5	V
Power Dissipation	PD	60	mW
Operation Temperature	Topr	-40 ~ +80	°C
Storage Temperature	Tstg	-40 ~ +80	°C
Lead Soldering Temperature	Tsol	Please kindly refer to the details in attached file	

Typical Electrical & Optical Characteristics (Ta = 25°C)

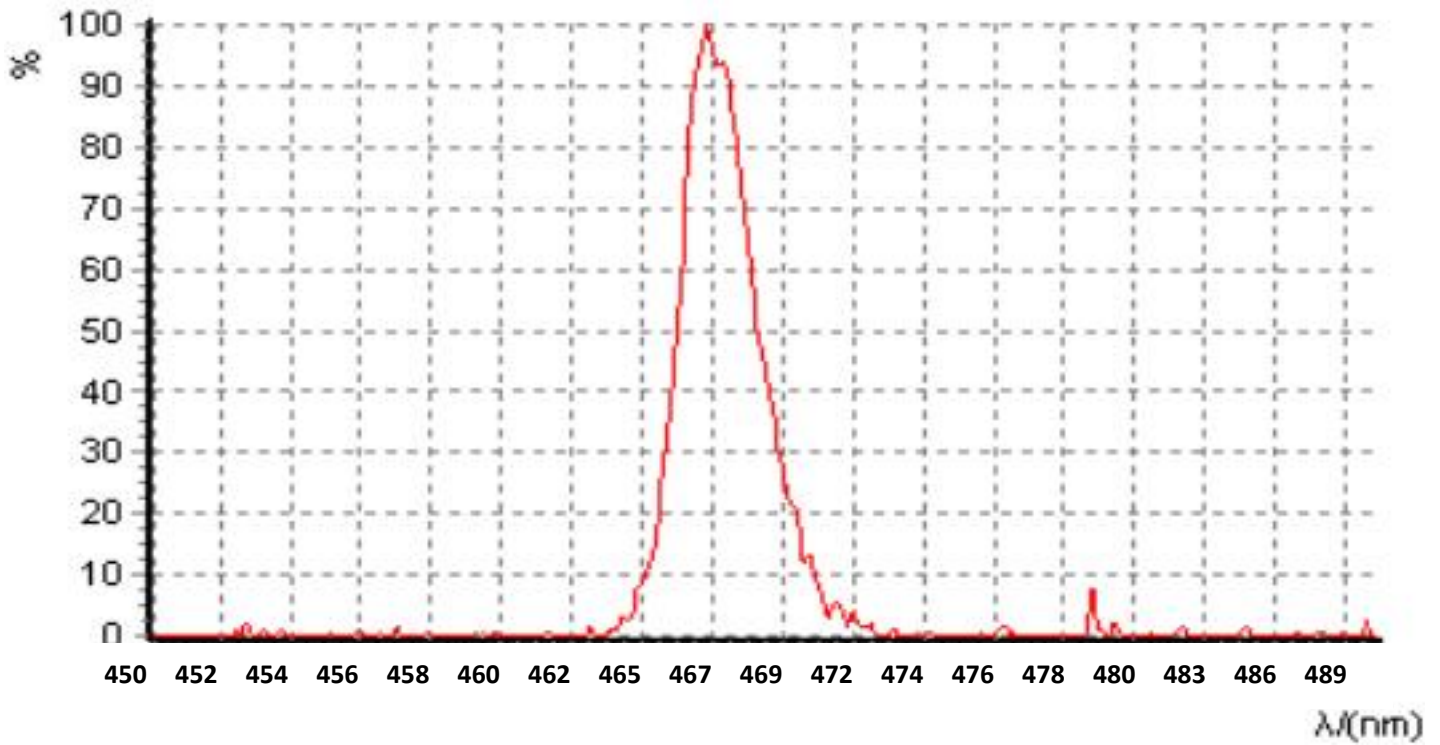
ITEMS	Symbol	Test Condition	Min.	Typ.	Max.	Unit
Luminous Intensity	Iv	IF=20mA	5000	---	6000	mcd
Forward Voltage	IF	IF=20mA	3.0	---	3.5	V
Peak Wavelength	λP	IF=20mA	---	---	---	nm
Dominant Wavelength	λD	IF=20mA	465	---	475	nm
Viewing Angle	2θ1/2	IF=20mA	20	---	30	Deg
Luminous flux	Iv	IF=20mA	---	---	---	LM
Color Rendering Index Calculation	Spm	X	---	---	---	---
	Spm	Y	---	---	---	---
Color Temperature	TC	IF=20mA	---	---	---	K

Product Mode I:

Spatial Distribution



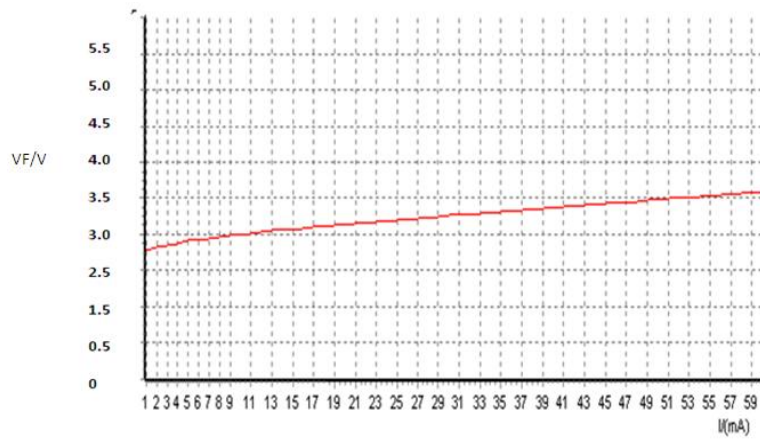
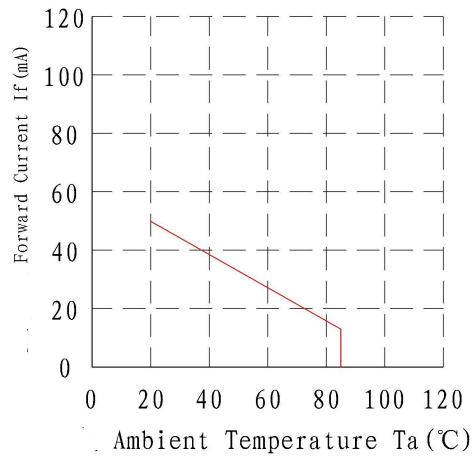
Relative Spectral Distribution Curve



Product Mode I:

Typical Optical/Electrical Characteristics Curves (Ta=25°C Unless Otherwise Noted)

Current-Voltage Curve



Current-Luminous intensity Curve

