

3.0mm Round Type LED Lamps

MODEL NO: IE-3RPG9WC-CA

★Features:

- Two chips are matched for uniform light output;
- Long life-solid state reliability;
- IC compatible/low power consumption;

★Lens Color:

- Water Clear White Diffused

★Descriptions:

- The LED Lamp contains two integral chips And is available as both bicolor and bipolar types;
- The Super Red and Super Green Light are emitted by diodes of GaAlAs and GaP respectively.

★Applications:

- Indicators ● Home Electric Appliance
- Automotive ● Sign & Signal

★Absolute Maximum Ratings (Ta=25°C) :

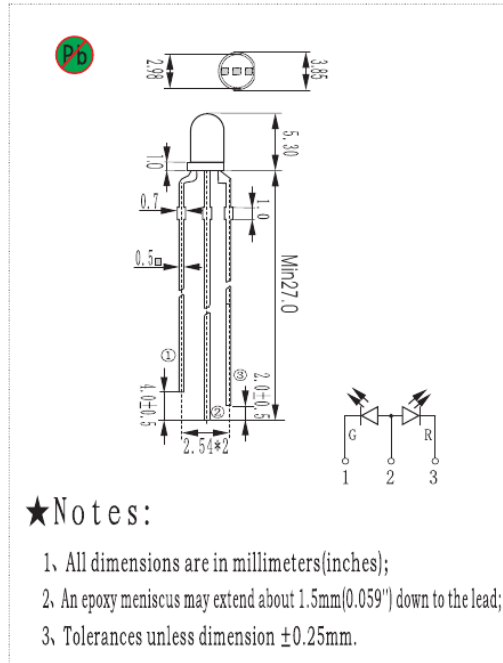
Parameter	Symbol	Rating	Unit	Remark
Forward Current	I _{FM}	30	mA	—
Peak Forward Current	I _{FP}	100	mA	1/10 Duty Cycle
Reverse Voltage	V _R	5	v	—
Operating Temperature	T _{OPR}	-25 + 85	°C	—
Storage Temperature	T _{Stg}	-40 + 100	°C	—
Soldering Temperature	T _{Sol}	260	°C	<3 seconds
Power Dissipation	P _d	80	mW	—

★Electronic Optical Characteristics (Ta=25°C) :

Part Number	Emitting Color	V _F (V) I _F =20mA			I _{V(mcd)} I _F =20mA		I _r (μA) V _R =5V	λ _d (nm)	Δλ (nm)	Viewing Angle 2θ _{1/2} (°)
		Min	Typ	Max	Typ	Max				
IE-3RPG9WC-CA	RED	1.65	2.1	2.4	2800	6300	<10	618-630	20	20°
	GREEN	2.6	2.9	3.4	7000	15000		515-525	20	

★Elucidation:  =Pb free Soldering Application, Pb<1000ppm(RoHS-Compliant)

★Package Dimension:



★Notes:

1. All dimensions are in millimeters(inches);
2. An epoxy meniscus may extend about 1.5mm(0.059") down to the lead;
3. Tolerances unless dimension ± 0.25 mm.