

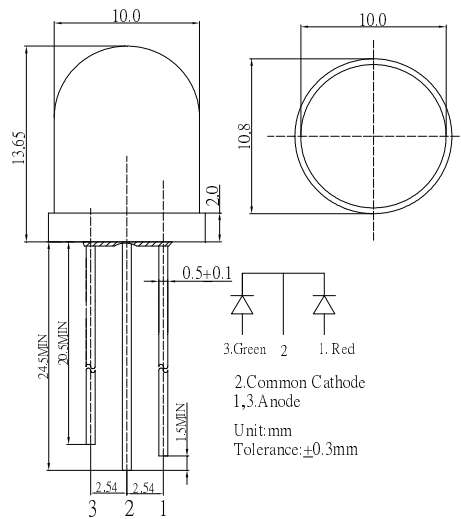
■Features

- High Luminous LEDs
- 10mm Round Standard Directivity
- Superior Weather-resistance
- UV Resistant Epoxy
- White diffused Type

■Applications

- Toys
- Games
- Audio
- Other Lighting

■Outline Dimension

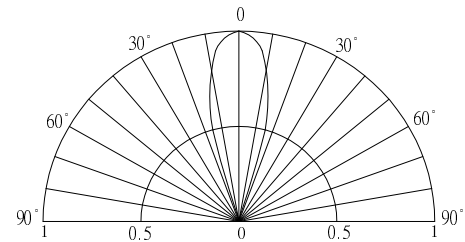


■Absolute Maximum Rating

($T_a=25^{\circ}\text{C}$)

Item	Symbol	Value		Unit
		Red	Green	
DC Forward Current	I_F	50	30	mA
Pulse Forward Current*	I_{FP}	120	100	mA
Reverse Voltage	V_R	5	5	V
Power Dissipation	P_D	120	108	mW
Operating Temperature	T_{opr}	-30~ +85		$^{\circ}\text{C}$
Storage Temperature	T_{stg}	-40 ~ +100		$^{\circ}\text{C}$
Lead Soldering Temperature	T_{sol}	260 $^{\circ}\text{C}$ /5sec		-

■Directivity



*Pulse width Max.10ms Duty ratio max 1/10

■Electrical -Optical Characteristics

($T_a=25^{\circ}\text{C}$)

Item	Symbol	Condition	Min.	Typ.	Max.	Unit
DC Forward Voltage	V_F (Red)	$I_F=20\text{mA}$	1.8	2.1	2.4	V
DC Forward Voltage	V_F (Green)	$I_F=20\text{mA}$	2.9	3.1	3.6	V
DC Reverse Current	I_R	$V_R=5\text{V}$	-	-	10	μA
Domi. Wavelength*	λ_D (Red)	$I_F=20\text{mA}$	619	624	629	nm
	λ_D (Green)	$I_F=20\text{mA}$	520	525	530	nm
Luminous Intensity*	I_v (Red)	$I_F=20\text{mA}$	1560	2180	3000	mcd
	I_v (Green)	$I_F=20\text{mA}$	2180	3000	4200	mcd
50% Power Angle	$2\theta_{1/2}$	$I_F=20\text{mA}$	-	30	-	deg

*1 Tolerance of dominant wavelength is $\pm 1\text{nm}$

*2 Tolerance of luminous intensity is $\pm 15\%$