

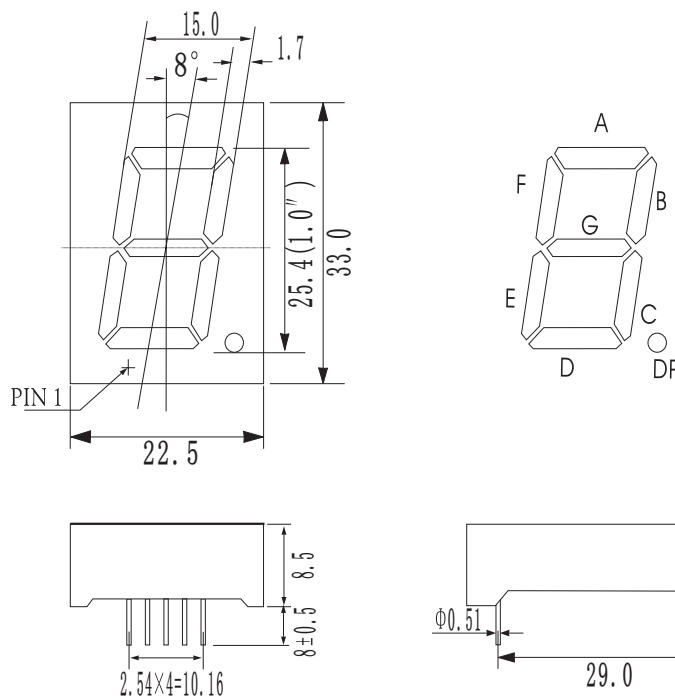
# 1.0" Single Digit LED Display

Model NO. : IE-1R-11002NC

Chip (Ta=±25°C)		PIN	Drive Mode	Face Color	Epoxy Color
Quantity	Emitting color	—	Common Anode	Black	White
15ea	Red				

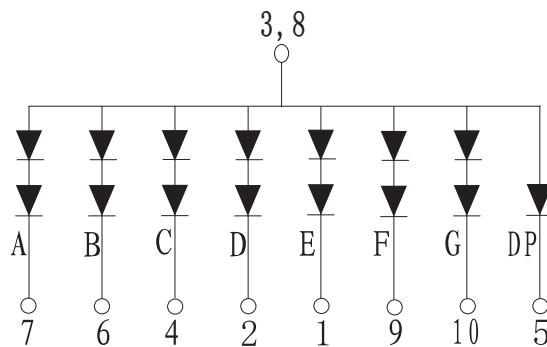
■ Package Outlines

(unit:mm)



- Notes:
1. All dimensions are in millimeters (inches);
  2. Tolerances is  $\pm 0.25$  (0.01") unless otherwise noted.

■ Internal Circuit:



## 1.0" Single Digit LED Display

Model NO. : IE-1R-11002NC

### ■ Absolute Maximum Ratings (Ta=+25°C)

Characteristics	Symbol	Rating	Unit	Remarks
Forward current/segment	$I_F$	25	mA	—
Peak forward current/segment	$I_{F(Peak)}$	100	mA	1/10 Duty Cycle
Reverse Voltage	/Segment	$V_R$	V	—
	/Dot			
Operating Temperature	$T_{Opr}$	-25 ~ +80	°C	—
Storage Temperature	$T_{Stg}$	-40 ~ +85	°C	—
Solder Temperature	$T_{Sol}$	260	°C	≤5 seconds
Power Dissipation/segment	$P_d$	60*2	mw	—

### ■ Electro-Optical Characteristics (Ta=25°C):

Parameter	SYMBOL	Test condition	Min.	Typ.	Max.	UNIT
Forward Voltage	/Segment	$I_F=20mA$	—	$\frac{2.0*2}{2.0}$	—	V
	/Dot			2.0		
Dominant Wavelength	$\lambda_D$	$I_F=20mA$	—	630	—	nm
Spectrum width (Half value)	$\Delta\lambda$	$I_F=20mA$	—	25	—	nm
Luminous Intensity/segment	$I_V$	$I_F=10mA$	—	30	—	mcd
Reverse current/segment	$I_R$	$V_R=5V$	—	—	10	μA